

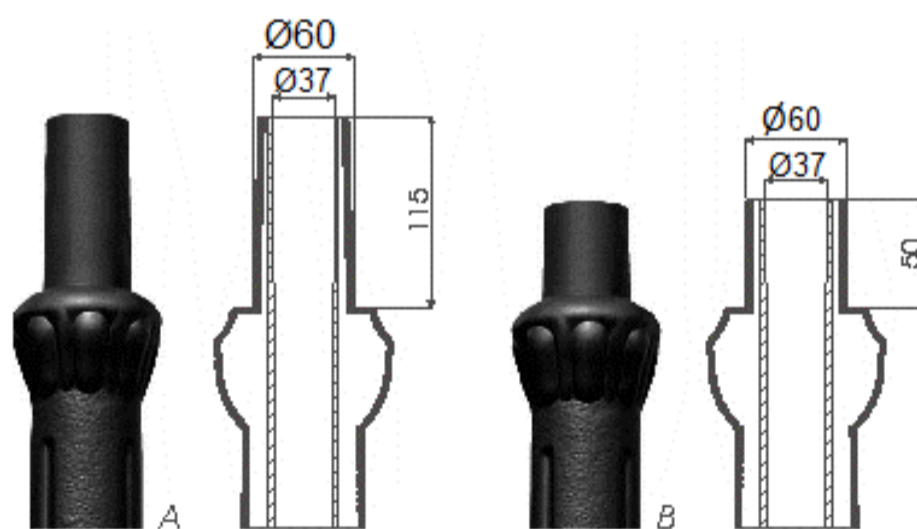
**Technical data**

Pole			S-23
Height H [m]			2,655
Colour			czarny
Standard pole (code)	Spigot ending	A	12310
		B	12320
High thermal resistance pole (code)		A	12310F
		B	12320F
Net weight [kg]	A	17,0	
	B	15,0	
Volume [m <sup>3</sup> ]*	A, B	0,06	
Pole top mounted			pole spigot „B” – Ø60 – OS-1, OP, OPA-1
Compatible extension arms			pole spigot „A” – Ø60 – arm systems: 1, 2
Concrete footing / reinforcement basket			B-20 / Z-20
Concrete footing code/reinforcement basket			311120 / 311202
Nut set code			311002

\* For order of more than 10 pcs stated volume may change according to packing



**Spigot ending types**



**Pole base scheme**

