



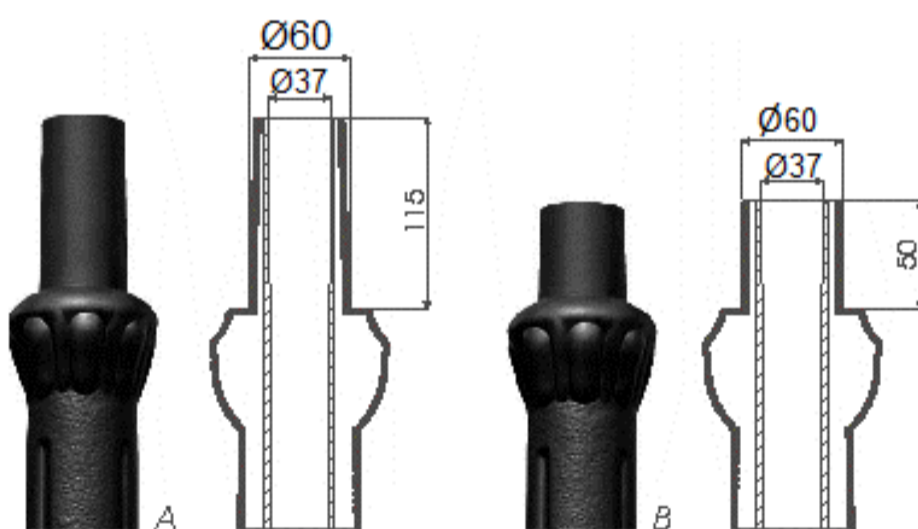
Technical data

Pole			S-54W**
Height H [m]			5,285
Colour			black
Standard pole (code)	Spigot ending	A	15411
		B	15421
High thermal resistance pole (code)		A	15411F
		B	15421F
Net weight [kg]		A	47,0
		B	41,0
Volume [m ³]*	A, B		0,18
Pole top mounted			pole spigot „B” – Ø60 – OS-1, OP, OPA-1
Compatible extension arms			pole spigot „A” – Ø60 – arm systems: 1, 2
Concrete footing / reinforcement basket			B-40 / Z-40B
Concrete footing code/reinforcement basket			311140 / 311204
Nut set code			311003

* For order of more than 10 pcs stated volume may change according to packing

** pole with chamber

Spigot ending types



Pole base scheme

