

Aluminium column SAL-10,8

diameter 176 mm at the base plate

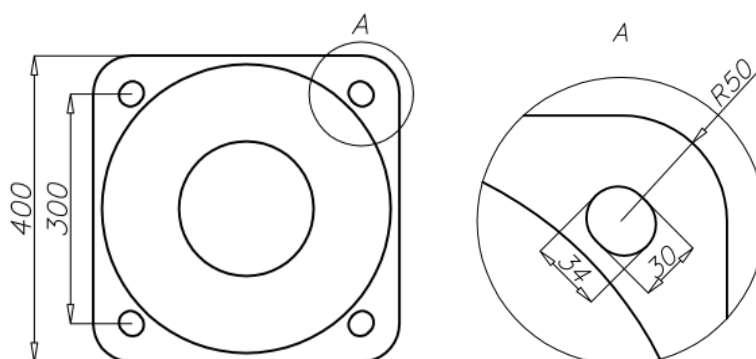

Technical data

Aluminium Column	SAL-10,8
Product code	42459
Column height H [m]	10,8
Height of the bottom part h1 + E [m]	6,3 + 0,35
Thickness wall of bottom part [mm]	4,3
Height of upper part h2 [m]	4,5
Thickness wall of upper part [mm]	4
Net weight [kg]	56
Volume [m ³]	0,513
Post top column	luminaires with $\varnothing 60$ spigot entry with weight and windage not exceeding data in resistance calculations
Compatible extension arms	according to resistance calculations
Concrete footing / reinforcement basket	B-70 / Z-70
Concrete footing code/reinforcement basket code	311170 / 311207
Hot galvanized nut set /Hot galvanized ripable nut set	4012 / 4013

Resistance calculations

SAL-10,8 code 42459		acceptable windage of single luminaire [m ²] for Cx=0,7			
		Vref. = 22 m/s	Vref. = 24 m/s	Vref. = 26 m/s	Vref. = 28 m/s
extension arm type	acceptable weight of single luminaire	I zone, II location category	I and III zone, II location category to 450m AMSL	II zone, II location category	III zone, II location category to 755m AMSL
WR-1/1	15	0,34	0,24	0,13	x
WR-2/1	15	0,23	0,15	x	x
WR-3/1	15	0,22	0,14	x	x
WR-4/1	15	0,32	0,23	x	x
WN-1	15	0,3 (Cx=1)	0,22 (Cx=1)	0,13 (Cx=1)	x

SAL-10,8 code 42459		acceptable windage of luminaires and extension arms [m ²] for Cx=1			
		Vref. = 22 m/s	Vref. = 24 m/s	Vref. = 26 m/s	Vref. = 28 m/s
acceptable mass of luminaires and extension arms [kg]		I zone, II location category	I and III zone, II location category to 450m AMSL	II zone, II location category	III zone, II location category to 755m AMSL
30		0,30	0,23	0,14	0,12



- surface: polished aluminium
- anodising in 10 colours, each with possibility of brightening
- option of powder painting in RAL colours (other colours available on request)
- elastomer protection in the color of the column to a height of 350 mm (other height on request)
- ROSA standard wiring chamber
- packing: sleeve material
- passive safety certificate 100NE2

