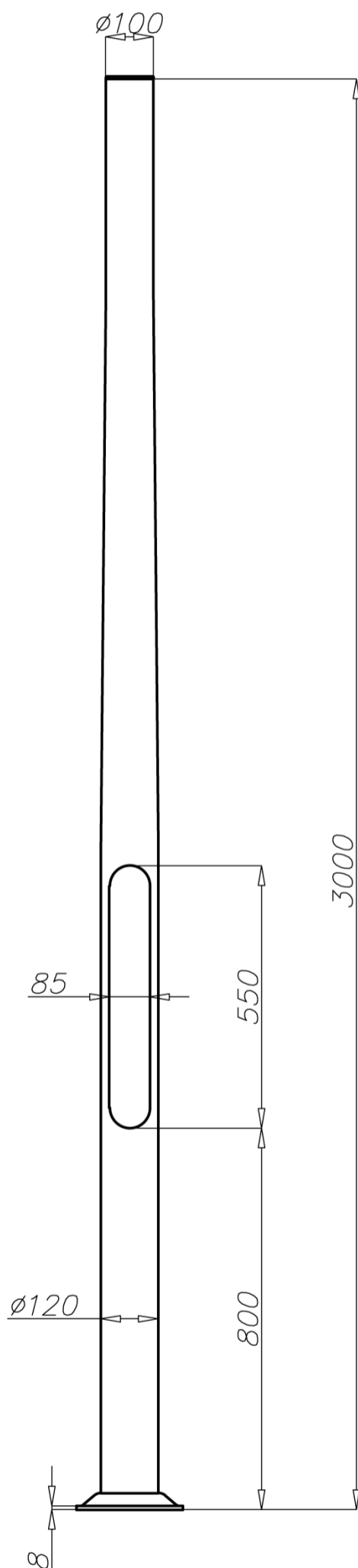


# Aluminium column SAL SYG 3

diameter 120 mm at the base plate



## Technical data

Aluminium Column	SAL SYG 3
Product code	42801
Column height H [m]	3
Wall thickness [mm]	4
Net weight [kg]	13,3
Volume [m <sup>3</sup> ]	0,083
Post top column	traffic signal lights and signs with Ø100 spigot entry with weight and windage not exceeding data in resistance calculations
Concrete footing / reinforcement basket	B-50 / Z-50
Concrete footing code / reinforcement basket	311150 / 311205
Hot galvanized nut set / Hot galvanized ripable nut set	4006 / 4007

## Resistance calculations

SAL SYG 3 code 42801	acceptable windage of traffic signal lights and signs [m <sup>2</sup> ] for Cx=1,2			
	Vref. = 22 m/s	Vref. = 24 m/s	Vref. = 26 m/s	Vref. = 28 m/s
acceptable mass of single traffic signal light [kg]	I zone, II location category	I and III zone, II location category to 450m AMSL	II zone, II location category	III zone, II location category to 755m AMSL
30	1,04	0,9	0,72	0,66

### Notice:

Traffic signal light has got windage:

- for lens diameter 210: 0,22 m<sup>2</sup>,
- for lens diameter 300: 0,39 m<sup>2</sup>.

Traffic signal light with screen dimensions 1,4m x 0,85m has got windage 1,19 m<sup>2</sup>.

- surface: polished aluminium
- anodising in 10 colours, each with possibility of brightening
- option of powder painting in RAL colours (other colours available on request)
- elastomer protection option in the color of the column to a height of 350 mm (other height on request)
- packing: sleeve material

