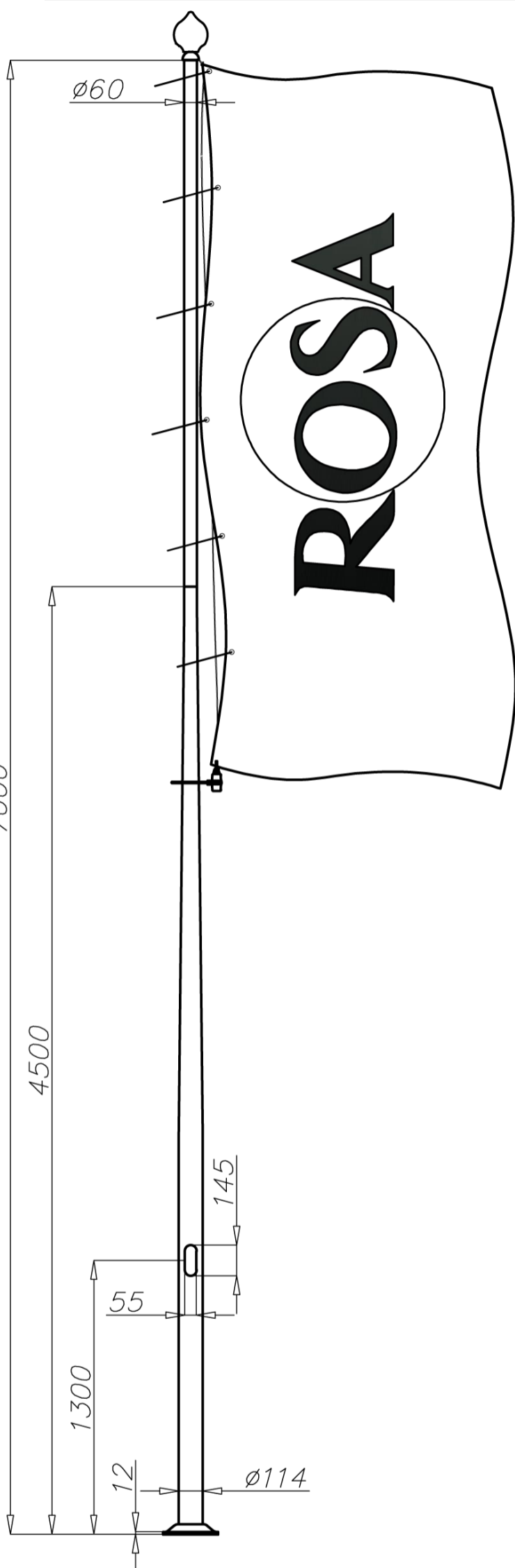


Flag pole SAL MF 7-114-2

diameter 114 mm at the base plate



Technical data

| | |
|--|-----------------|
| Flag pole | SAL MF 7-114-2 |
| Product code | 42952 |
| Flag pole height [m] | 7 |
| Height of lower section + tube [m] | 4,5 + 0,2 |
| Lower wall thickness [mm] | 3 |
| Height of upper section [m] | 2,5 |
| Upper wall thickness [mm] | 3,5 |
| Net weight [kg] | 20,7 |
| Volume [m ³] | 0,142 |
| Concrete footing / reinforcement basket | B-51 / Z-51 |
| Concrete footing code/reinforcement Basket code | 311151 / 311251 |
| Hot galvanized nut set /Hot galvanized ripable nut set | 4008 / 4009 |

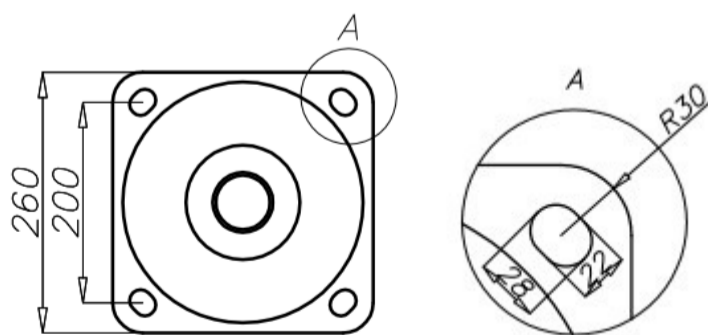
Resistance calculations

| SAL MF 7-114-2 code 42952 | location category | | | |
|------------------------------|-------------------|--------------------------------|----------------|--------------------------|
| | Vref. = 22 m/s | Vref. = 24 m/s | Vref. = 26 m/s | Vref. = 28 m/s |
| Surface flag | I zone | I and III zone to 450m AMSL | II zone | III zone to 755m AMSL |
| ≤ 3 m ² | 1 | 1 | 0 | 1 |
| ≤ 6 m ² | 1 | 1 | 2 | 2 |

 resistance calculations based on: 1 m² of flag = 0,16 kg

Additional equipment

| Name of product | Cross-bar 1,0 m | Cross-bar 1,5 m | Cross-bar 2,0 m |
|--------------------------------------|--------------------|--------------------|--------------------|
| Product code | 4000 | 4003 | 4011 |
| Outreach of cross-bar [m] | 1,0 | 1,5 | 2,0 |
| Net weight [kg] | 1,8 | 2,0 | 2,2 |
| Approximate volume [m ³] | 0,01 | 0,01 | 0,01 |



- surface: polished aluminium
- anodising in 10 colours, each with possibility of brightening
- option of powder painting in RAL colours (other colours available on request)
- elastomer protection option in the color of the column to a height of 350 mm (other height on request)
- packing: sleeve material
- top: standard gold or silver