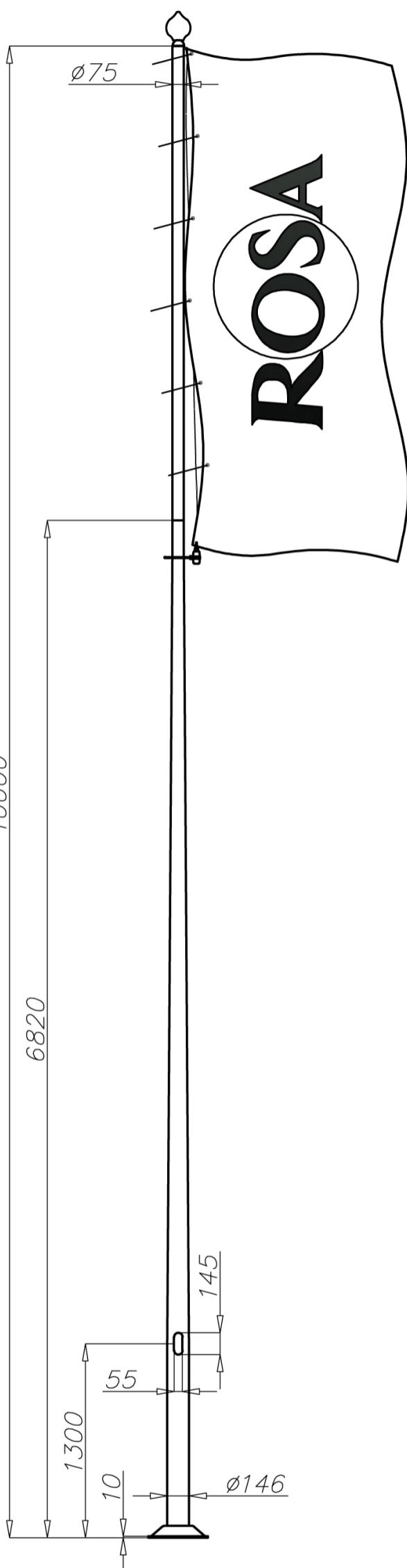


Flag pole SAL MF 10-146

diameter 146 mm the base plate



Technical data

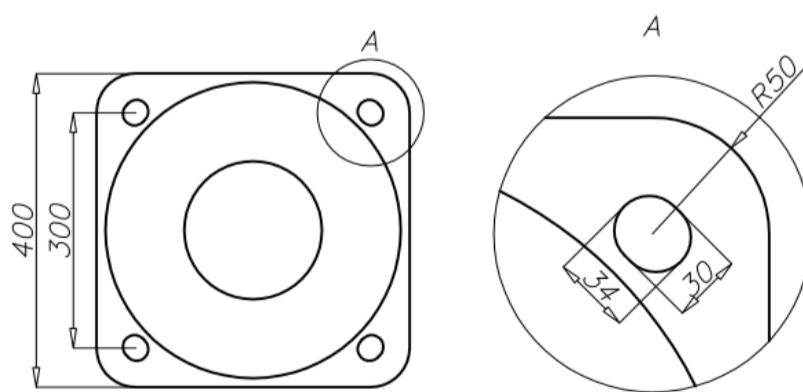
Flag pole	SAL MF 10-146
Product code	42958
Flag pole height [m]	10
Height of lower section + tube [m]	6,82 + 0,2
Lower wall thickness [mm]	4,2
Height of upper section [m]	3,18
Upper wall thickness [mm]	5
Net weight [kg]	45,1
Volume [m ³]	0,472
Concrete footing / reinforcement basket	B-71 / Z-71
Concrete footing code/reinforcement Basket code	311170/ 311207
Hot galvanized nut set /Hot galvanized ripable nut set	4012 / 4013

Resistance calculations

SAL MF 10-146 code 42958	location category			
	Vref. = 22 m/s	Vref. = 24 m/s	Vref. = 26 m/s	Vref. = 28 m/s
Surface flag	I zone	I and III zone to 450m AMSL	II zone	III zone to 755m AMSL
≤ 3 m ²	1	1	2	3
≤ 6 m ²	1	2	3	3

Additional equipment

Name of product	Cross-bar 1,0 m	Cross-bar 1,5 m	Cross-bar 2,0 m
Product code	4000	4003	4011
Outreach of cross-bar [m]	1,0	1,5	2,0
Net weight [kg]	1,8	2,0	2,2
Approximate volume [m ³]	0,01	0,01	0,01



- surface: polished aluminium
- anodising in 10 colours, each with possibility of brightening
- option of powder painting in RAL colours (other colours available on request)
- elastomer protection option in the color of the column to a height of 350 mm (other height on request)
- packing: sleeve material
- top: standard gold or silver