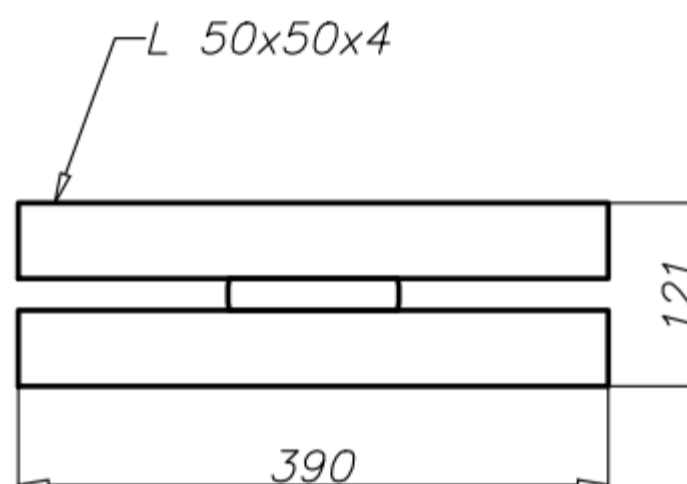
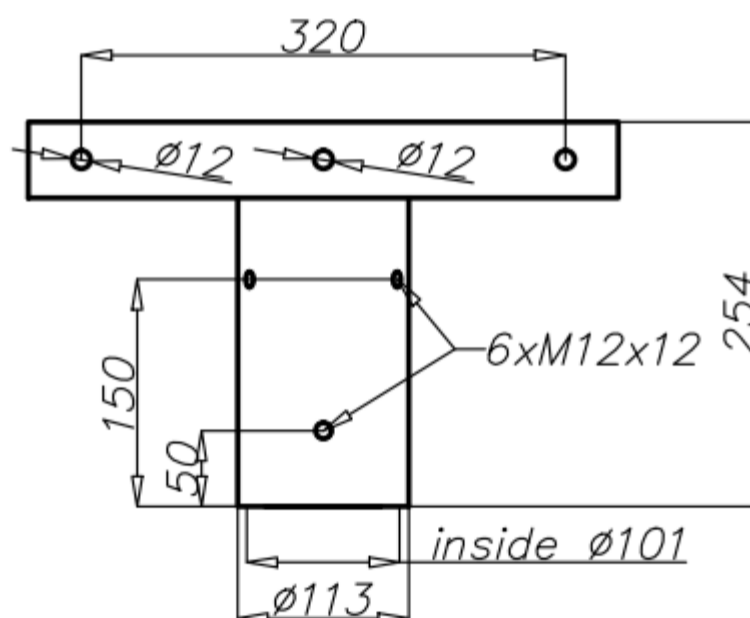
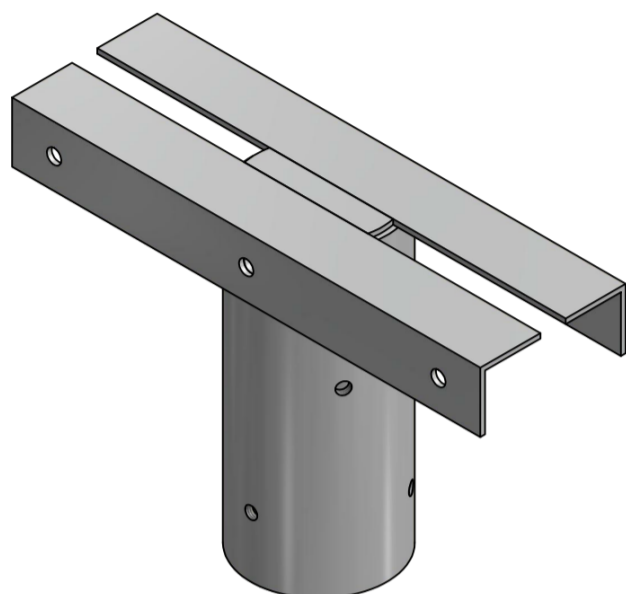


# Aluminium extension arm WM-2



## Technical data

Extension arm	WM-2
Product code	474020
Application	aluminium light masts with ending $\varnothing 100 \times 180$
Arm quantity	2
Net weight [kg]	2,3
Windage [m <sup>2</sup> ]	0,04
Volume [m <sup>3</sup> ]	0,01
Assembling diameter of luminaire $\varnothing$ [mm]	x
Compatible luminaires	projectors

- anodising in 10 colours, each with possibility of brightening
- option of powder painting in RAL colours (other colours available on request)
- packing: sleeve material
- CE certificate valid for use on poles manufactured by ROSA company