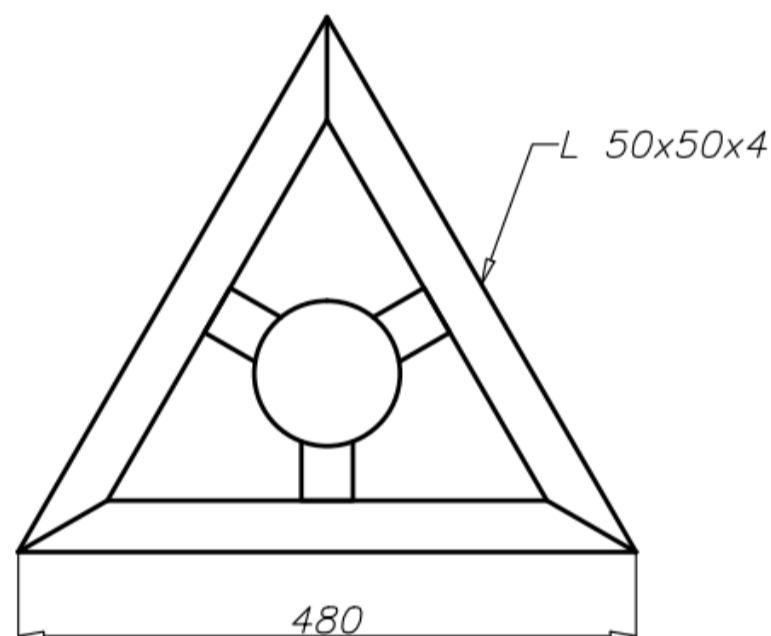
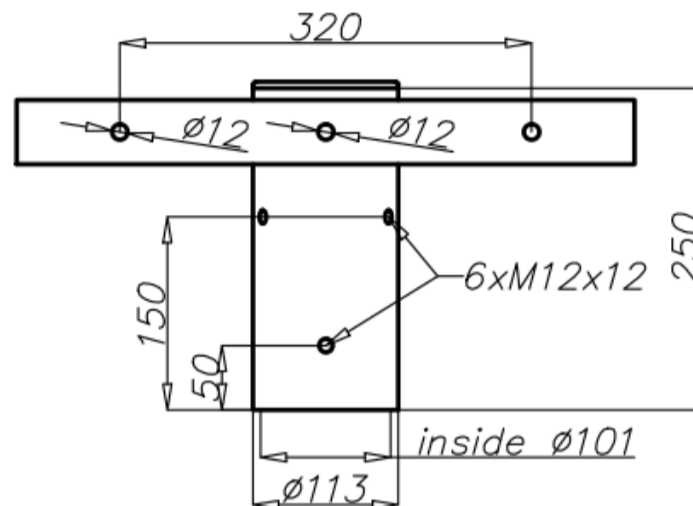
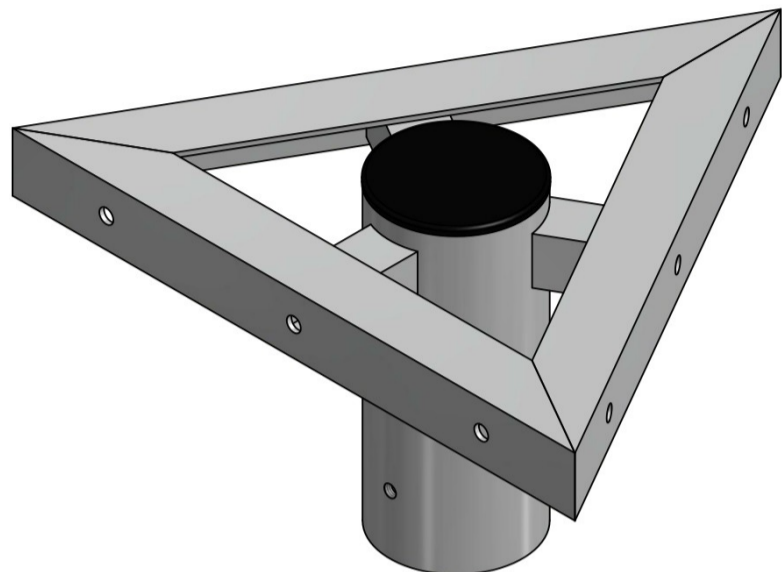


Aluminium extension arm WM-3



Technical data

Extension arm	WM-3
Product code	474030
Application	aluminium light masts with ending $\varnothing 100 \times 180$
Arm quantity	3
Net weight [kg]	3,4
Windage [m ²]	0,05
Volume [m ³]	0,02
Assembling diameter of luminaire \varnothing [mm]	x
Compatible luminaires	projectors

- anodising in 10 colours, each with possibility of brightening
- option of powder painting in RAL colours (other colours available on request)
- packing: sleeve material
- CE certificate valid for use on poles manufactured by ROSA company