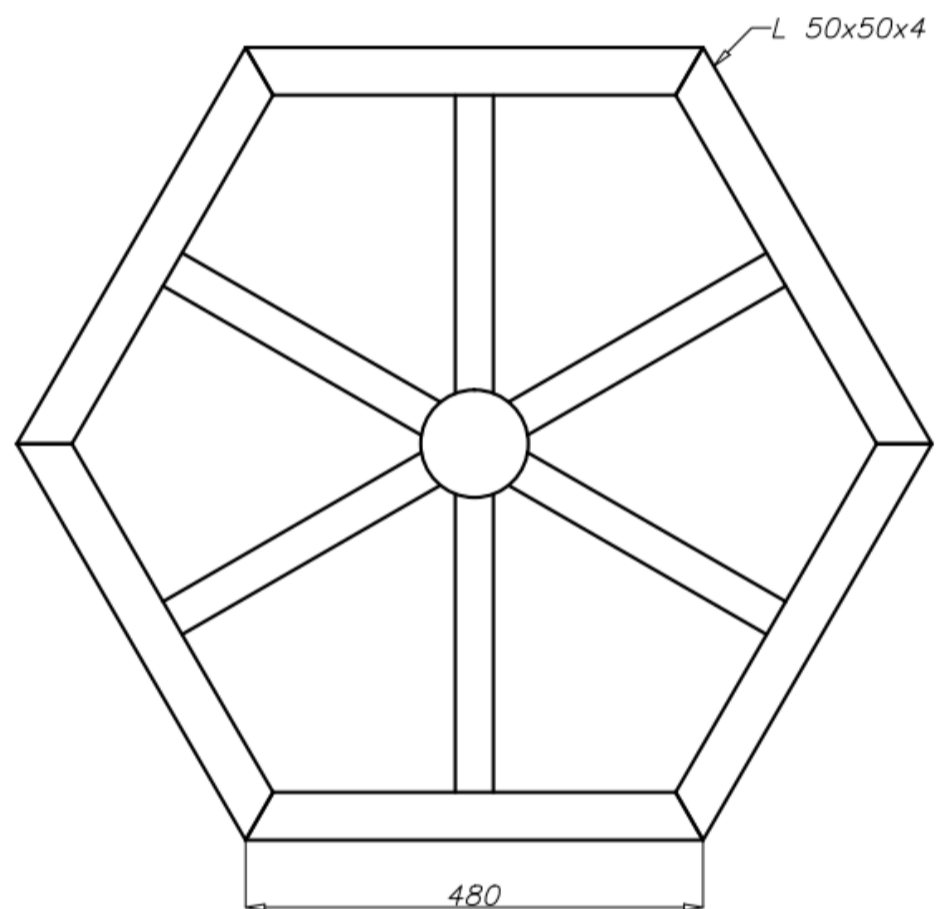
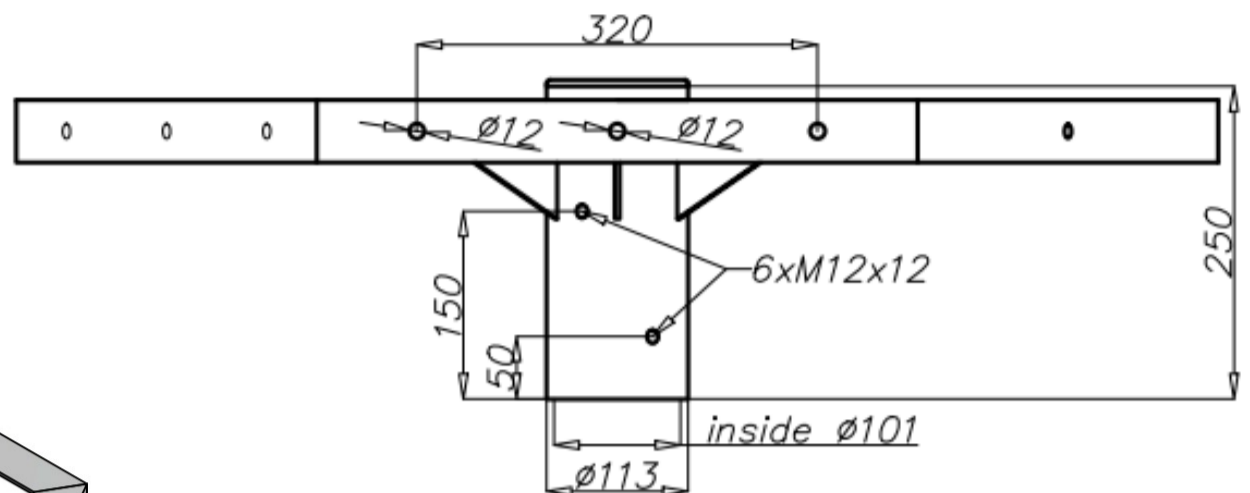
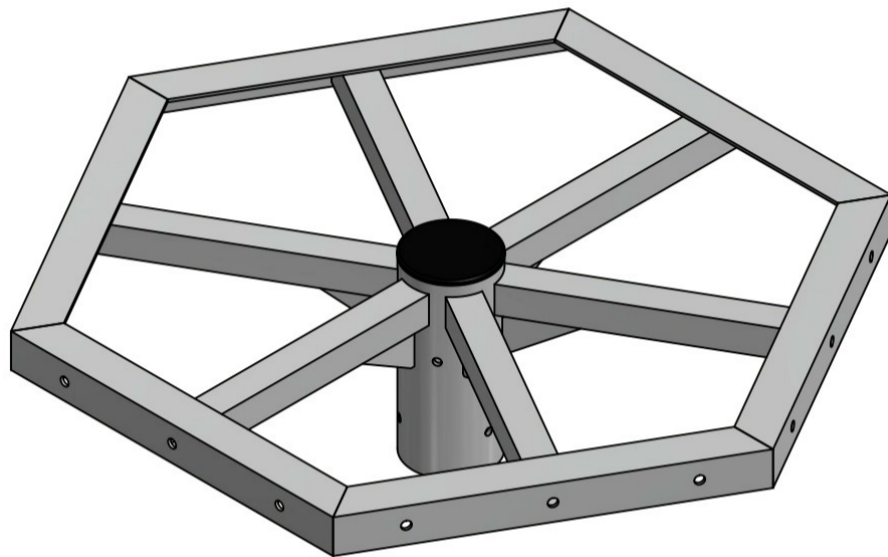


Aluminium extension arm WM-6



Technical data

| Extension arm | WM-6 |
|---|--|
| Product code | 474060 |
| Application | aluminium light masts with ending $\varnothing 100 \times 180$ |
| Arm quantity | 6 |
| Net weight [kg] | 7,4 |
| Windage [m ²] | 0,07 |
| Volume [m ³] | 0,07 |
| Assembling diameter of luminaire \varnothing [mm] | $\varnothing 60$ |
| Compatible luminaires | projectors |

- anodising in 10 colours, each with possibility of brightening
- option of powder painting in RAL colours (other colours available on request)
- packing: sleeve material
- CE certificate valid for use on poles manufactured by ROSA company