

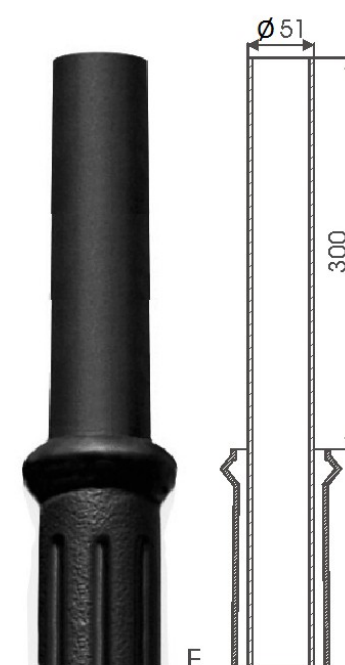
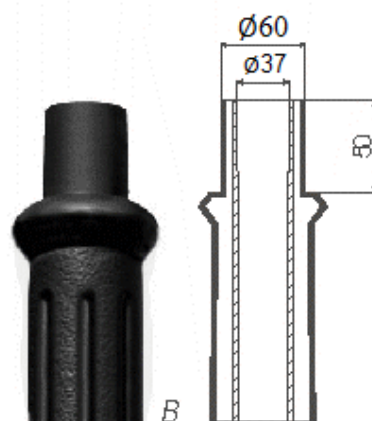
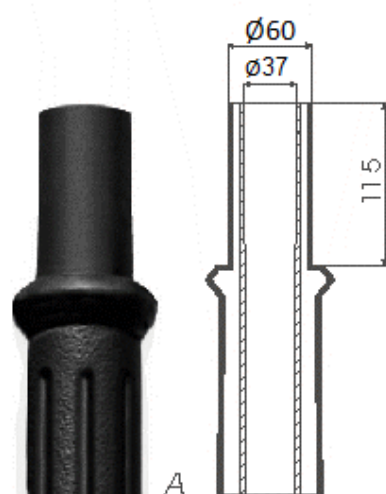
Technical data

Pole		SP-31W**	
Height H [m]		4,0	
Colour		black	white
Standard pole (code)	Spigot ending	A	173111
		B	173211
		E	173511
High thermal resistant pole (code)	Spigot ending	A	173111F
		B	173211F
		E	173511F
Net weight [kg]	Spigot ending	A	41,0
		B	35,0
		E	42
Volume [m ³]*	Spigot ending	A, B	0,19
		E	0,2
Pole top mounted		pole spigot „B” – Ø60 – OS-1, OP, OPA-1	
Compatible extension arms		pole spigot "A" – Ø60 – WT and WA-1, WA-01, WA-4 pole spigot "E" – Ø51 – WTM	
Compatible arm systems		pole spigot "A" – Ø60 – arm system type "P"	
Concrete footing / reinforcement basket		B-60T / Z-60T	
Concrete footing code/reinforcement basket		311160T / 311206T	
Nut set code		4008	

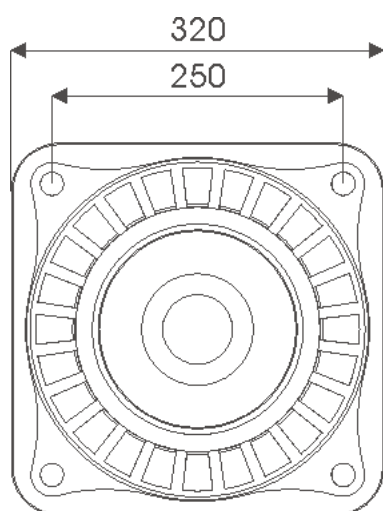
* For order of more than 10 pcs stated volume may change according to packing

** pole with chamber

Spigot ending types



Pole base scheme



4xM18

320x320 [mm]

4000