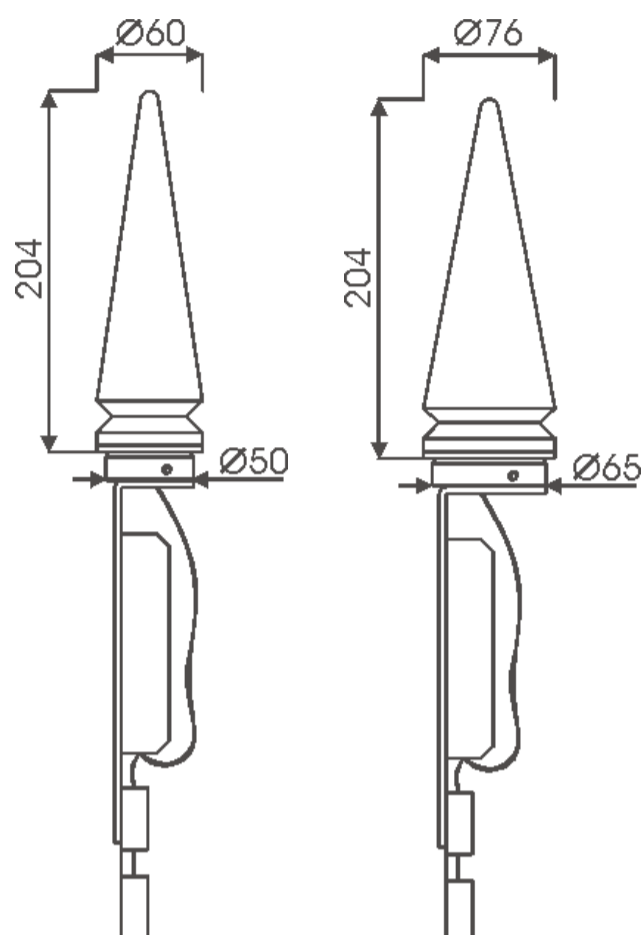


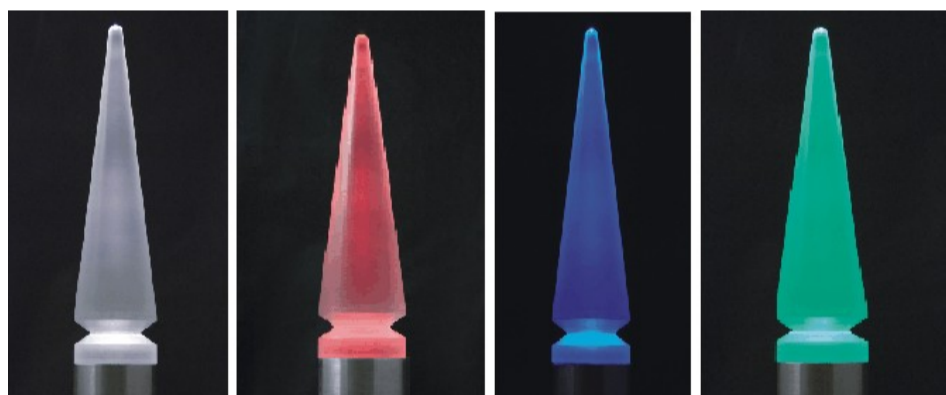
Small shining spike



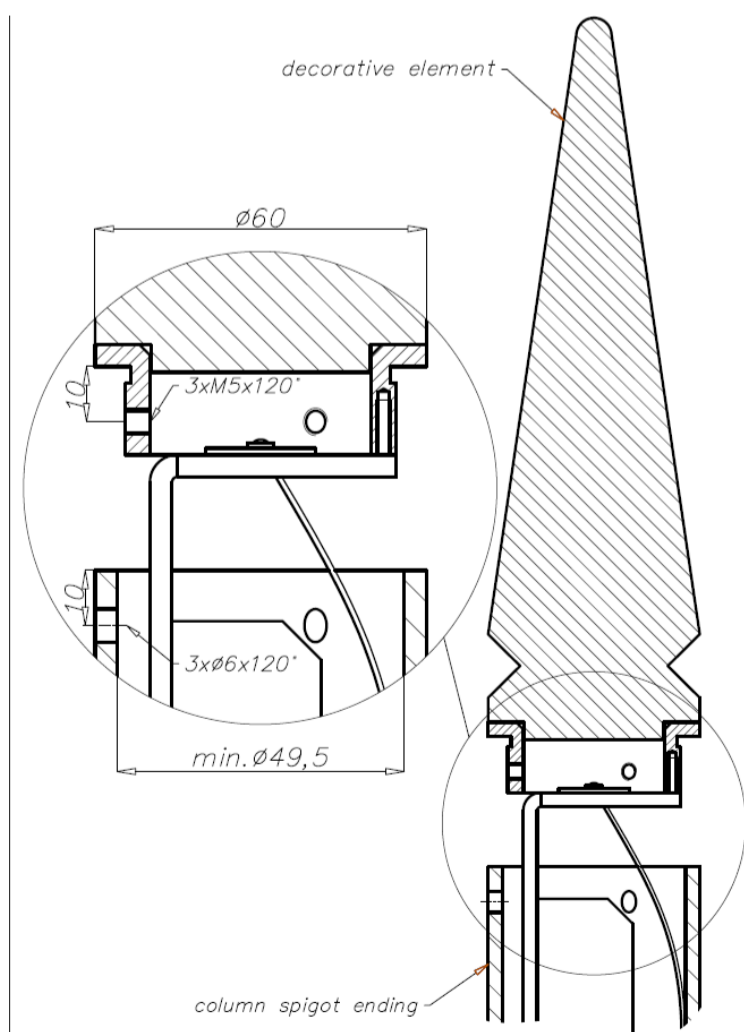
Technical data

Decorative element type		Small shining spike	
Mounting diameter [mm]		Ø60	Ø76
Code	Blue	4034	4050
	Green	4035	4051
	Red	4036	4052
	White	4037	4053
Voltage		100-240V AC	
Frequency		50/60 HZ	
Insulation class		II	
Protection degree		IP 20	
Module LED		1xLED Cree XP-E, 350mA	
Material		PMMA	
Assembly		using 3 screws M5 after making mounting holes in the column	
Net weight [kg]		0,5	
Volume [m ³]		0,001	

- Low Voltage Directive LVD 2006/95/WE, norm PN-EN 60598-1
- Directive EMC 2004/108/WE, norms: PN-EN 55015, PN-EN 61547, PN-EN 61000-3-2, PN-EN 61000-3-3



Way of mounting on the column spigot ending Ø60



Way of mounting on the column spigot ending Ø76

