

LED

SIGNAGE

solutions

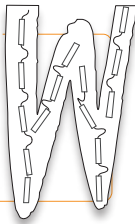
EKONN
TECHNOLOGIES

2016 EN



Table of Contents

LED Wizard



page
04

epiDBD System



page
06

Micro¹ / Micro³

NEW



page
08

Pico



page
09

Opticor¹



page
10

Opticor²



page
11

Opticor³



page
12

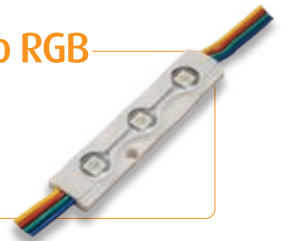
Luno



page
13

Disco RGB

NEW



page
14

Triglo



page
15

Ultimo



page
16

LG Innotek



page
17

Elypso 1.5W

page
18



Elypso 3.0W

NEW
page
19



Elypso 4.5W

page
20



ERA3

page
21



ER13

page
22



ERS3L

page
23



LED Strips

page
24



3D Strip

page
26



epiPIXEL

page
27



Profiles

page
28



Power Supplies

page
30



LED Panels

page
33



Controllers

page
34



Accessories

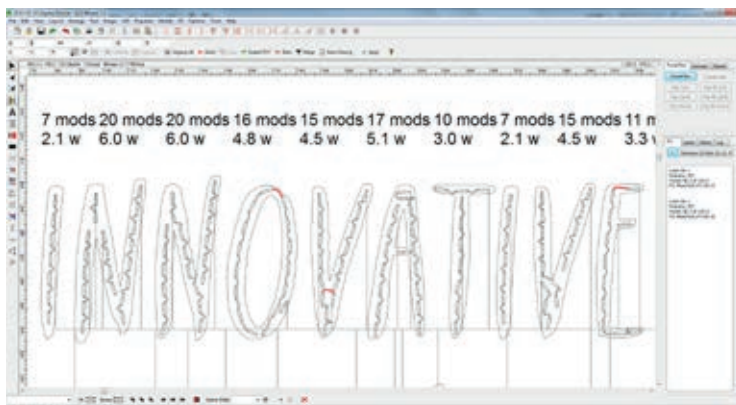
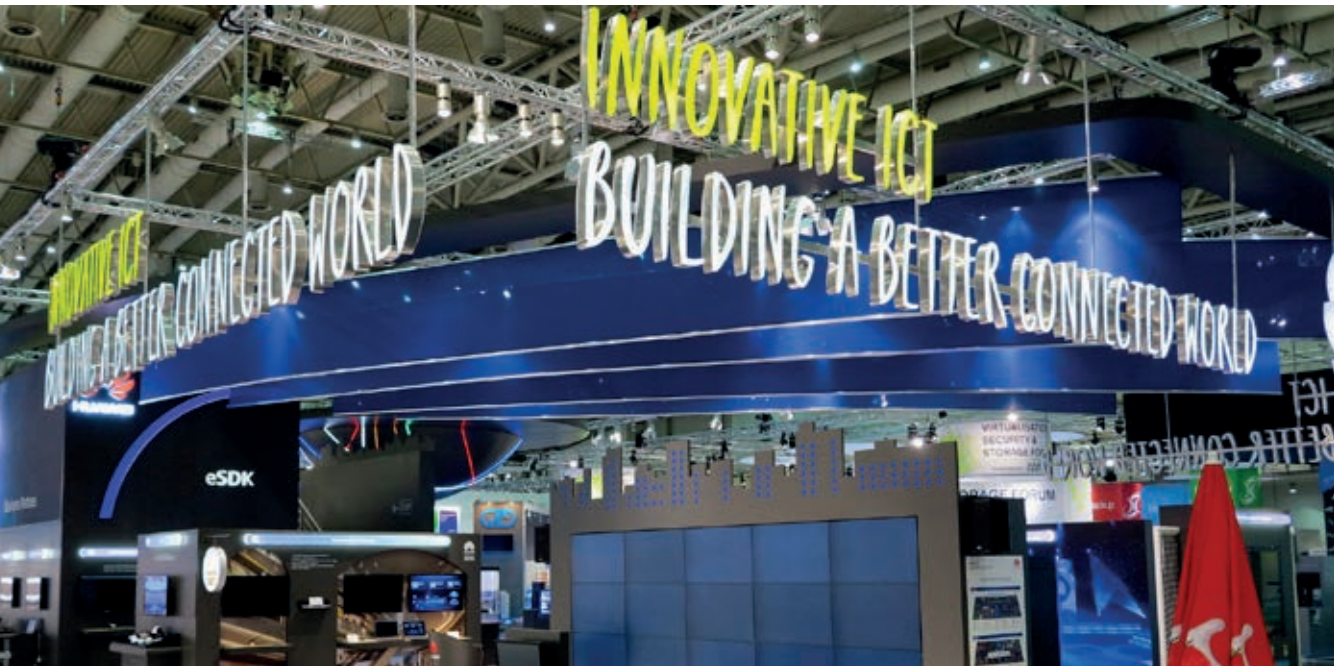
page
35



LED Wizard

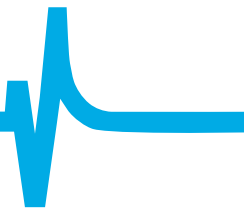
LED Wizard Software

epiLED is the **official partner** of Aries Graphics International, the producer of LED Wizard software. We use and distribute this state of the art software. The customers worldwide obtain the complete estimate for their lightboxes and channel letters. LED Wizard gives the entire industry a clear, standardized path towards developing the best practices.



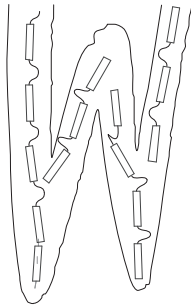
Complex valuation includes:

- Choosing the appropriate module from the epiLED's offer
- Optimal arrangement of LED modules in light box, channel letter, etc.
- Choosing the appropriate power supply with reserve capacity
- Arrangement of mounting holes
- The cost of materials used in the project



Auto population for cabinet

- Hybrid Layout — one inline plus parallel runs
- Parallel layouts — vertical, horizontal, angled
- Any size or shape, not just rectangles



Overall stats

- Summary data for the entire job
- Includes total modules, watts and power supplies
- Can be further customized, scaled and positioned

574 Modules: epiLED - ERS3-WH (3x3528)
 172.2 Watts
 2 Power Supplies: epiLED - MeanWell LPV100-12

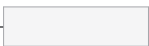
Components stats

- Per letter and/or sign cabinet
- Data can be customized, including metric units
- Easily adjust sizing, spacing and positioning

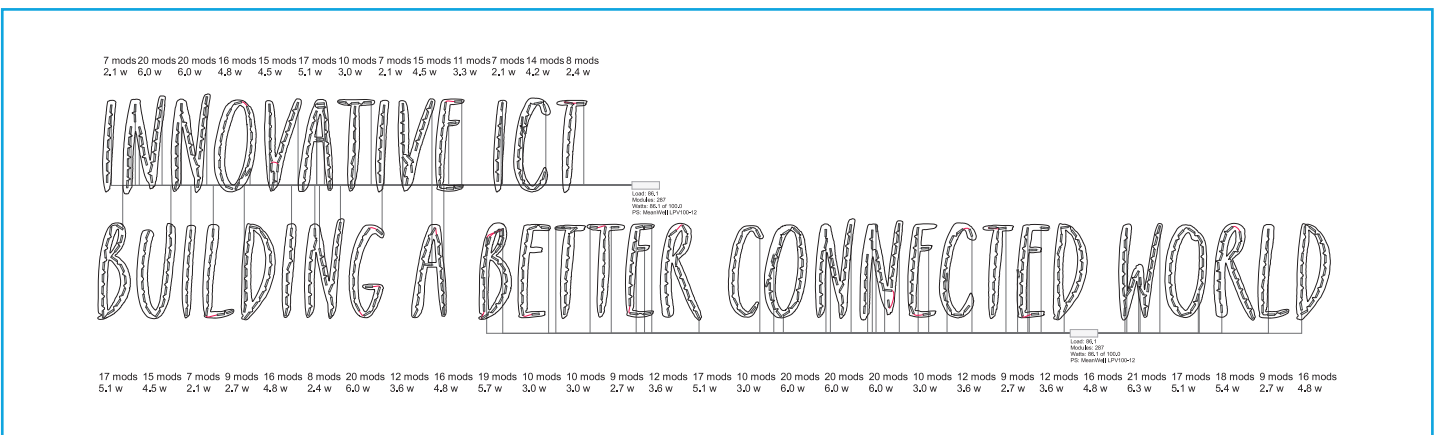
D
 16 mods
 4.8 watts

Loaded & wired power supplies

- User easily selects, positions and loads
- Summary information can be customized
- Multiple ways to load power supplies



Load: 86.1
 Modules: 287
 Watts: 86.1 of 100.0
 PS: MeanWell LPV100-12



Official distributor of LED Wizard

Having LED Wizard 7 in house gives you the ability to present more options to your customer, since you can create and submit multiple LED systems in a consistent format. Perhaps you want to provide a choice for your customer in terms of cost/quality, brightness, or warranty. **Contact epiLED** to purchase your own LED Wizard license and start creating accurate and professional looking layouts for your business.

epiDBD System

epiDBD

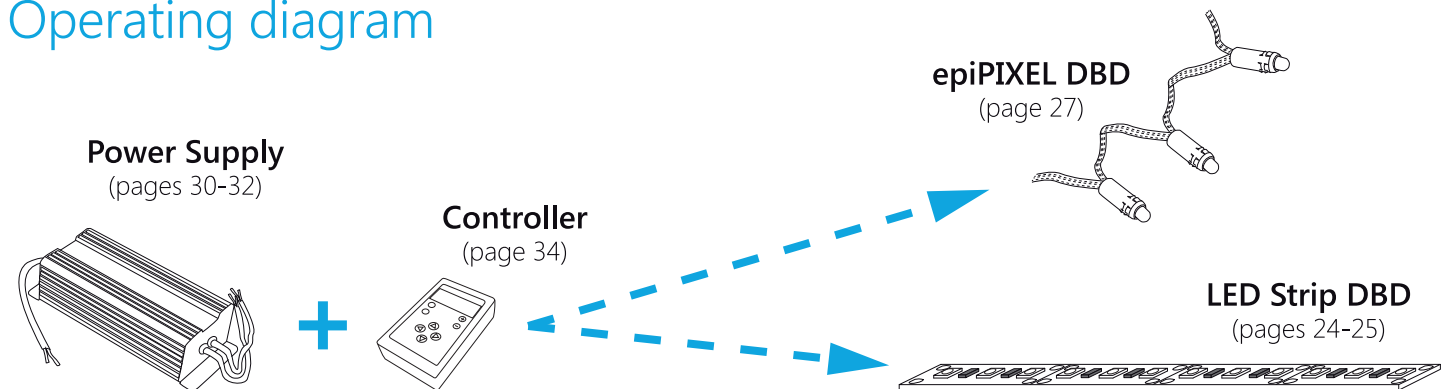
epiDBD stands for **dot-by-dot control ability** to steer individual LED points on RGB device.

Imagine the RGB system, where you can **create anything** from a flowing effect on linear LED stripe up to a full scale LED display mounted on your POS stand.

You can choose simple products with predefined programs or use computer based application to **design special effects** well suited to actual application and **amaze your customers**.



Operating diagram



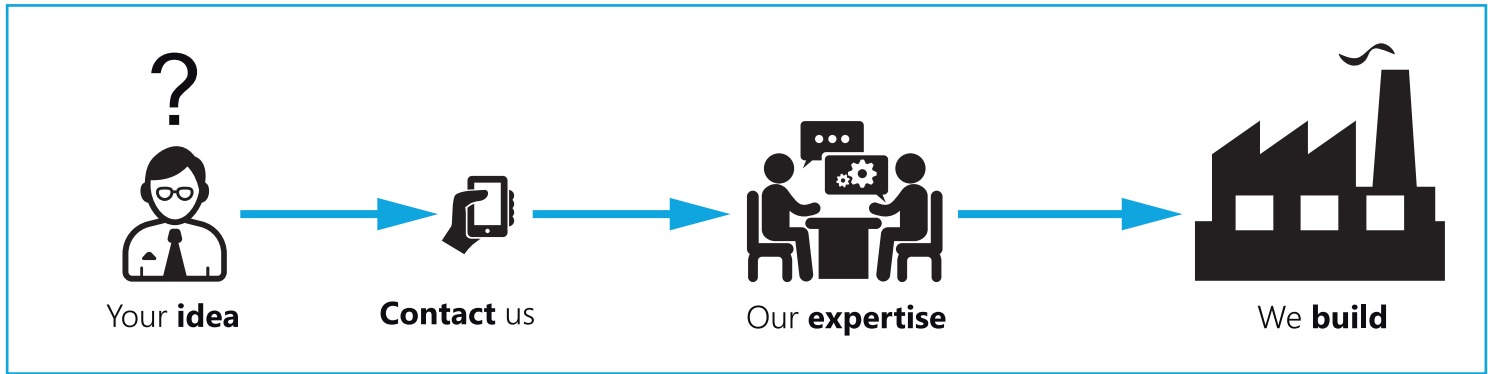
Application



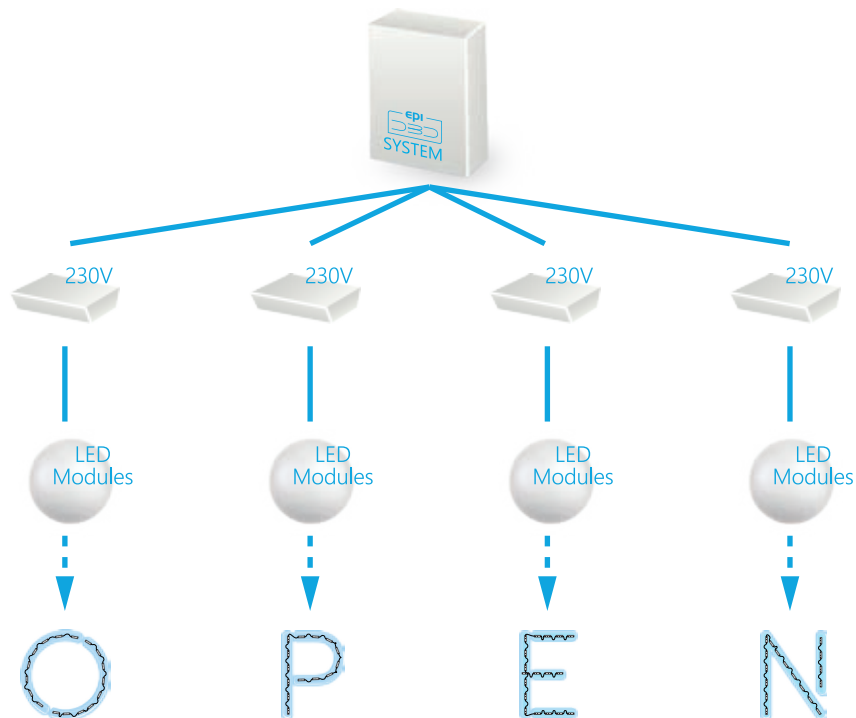
OPEN OPEN OPEN OP



Create **individual** signage system



epiDBD **SYSTEM** for signage



EN OPEN OPEN OPEN

Scan this QR code to learn more about



EKONN
TECHNOLOGIES

Micro¹ / Micro³

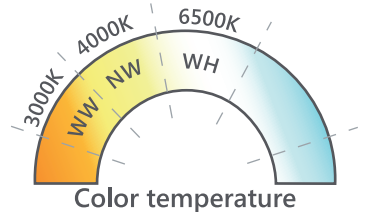


fits everywhere



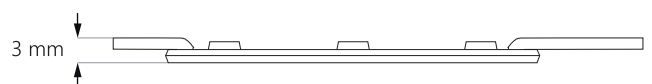
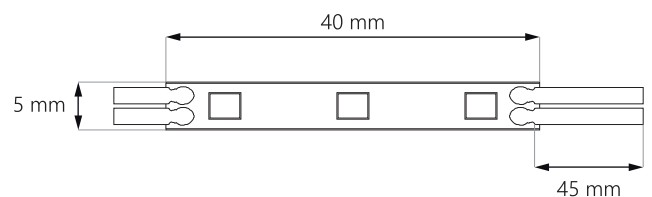
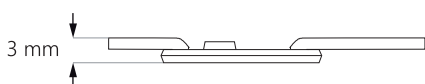
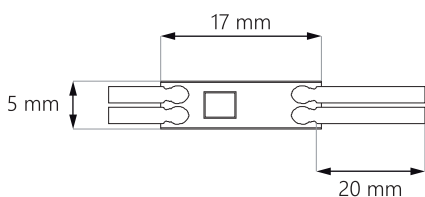
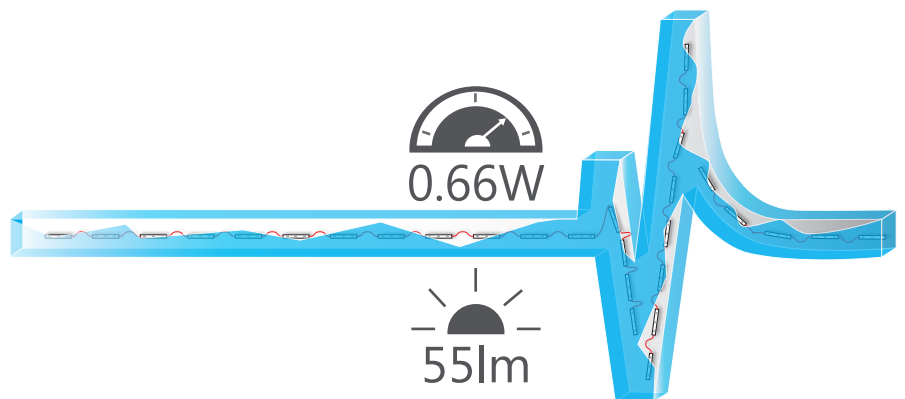
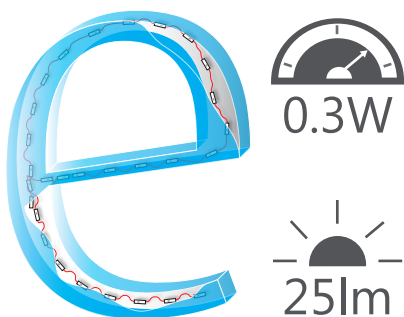
Features

- selected SMD 2835 diodes with enhanced brightness
- small size
- aluminum PCB for superb heat dissipation
- chain of 20 pcs (micro¹) / 40 pcs (micro³)
- assembly with **3M** tape



Application

- extra small channel letters



Pico

PRELIMINARY!

even for 2 cm depth



Features

- selected SMD 2835 diode with enhanced brightness
- professional 160° lens for excellent light scattering
- small size
- stabilizer — ensuring uniform brightness
- aluminum PCB for superb heat dissipation
- chain of 50 pieces
- assembly with **3M** tape



0.36W



34lm



Current stabilization



IP67



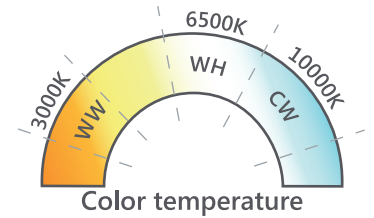
12V
DC



2835

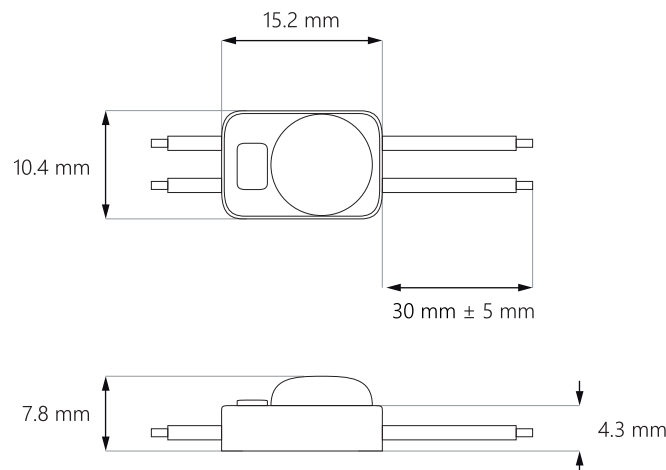


160°



Application

- min. 2 cm depth channel letters



Opticor¹

best for 5-10 cm

Features

- **selected LEDs** — high-efficiency diodes 2835 in a housing with heat sink, LM-80's compatible, binned for luminous flux, color temperature / wavelength and forward voltage
- **bigger LED chip** — more brightness, greater surface area = longer lifespan
- **professional lens** — 160° bat-wing lens provide greater light scattering, reduce density of the modules in application = reduced cost, and significantly improved illumination uniformity
- **stabilizer** — constant current integrated circuit
- **aluminum PCB** — superb heat dissipation
- chain of 50 pieces
- auxiliary assembly with **3M** tape

Application

- 5-10 cm depth small lightboxes and channel letters



0.5W



45lm



Current stabilization



IP67



12V
DC



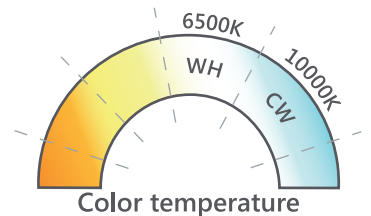
2835



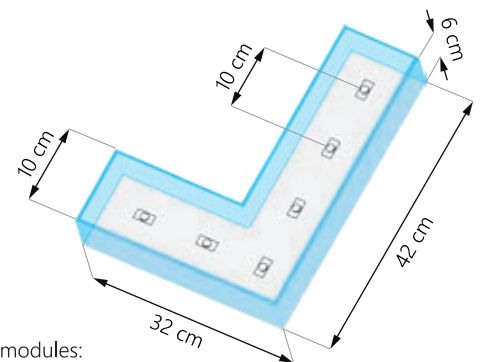
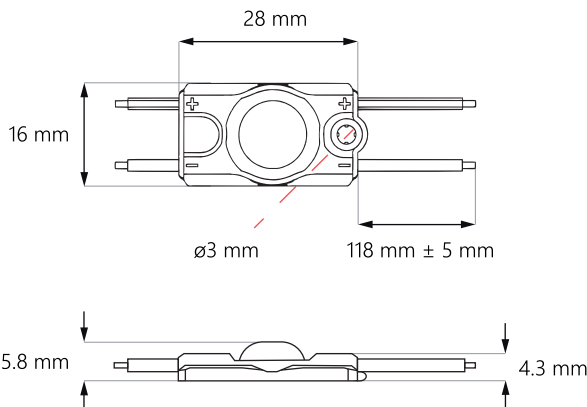
160°



5 Years
Warranty



Color temperature



Number of modules:
6

Surface brightness:
3300 lux



Opticor²

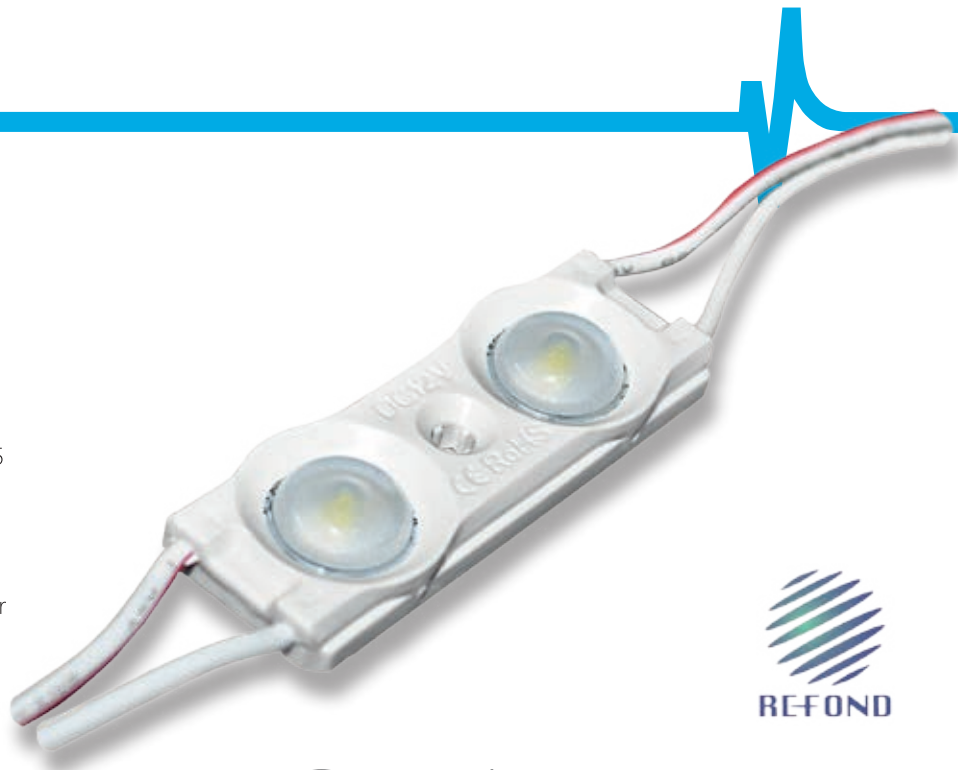
best for 6-15 cm

Features

- **selected LEDs** — high-efficiency diodes 2835 in a housing with heat sink, LM-80's compatible, binned for luminous flux, color temperature / wavelength and forward voltage
- **bigger LED chip** — more brightness, greater surface area = longer lifespan
- **professional lens** — 160° bat-wing lens provide greater light scattering, reduce density of the modules in application = reduced cost, and significantly improved illumination uniformity
- **stabilizer** — constant current integrated circuit
- **aluminum PCB** — superb heat dissipation
- chain of 40 pieces
- auxiliary assembly with **3M** tape

Application

- 6-15 cm depth medium size lightboxes and channel letters



1.0W



90lm



Current stabilization



IP67



12V
DC



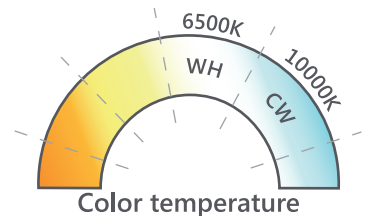
2835



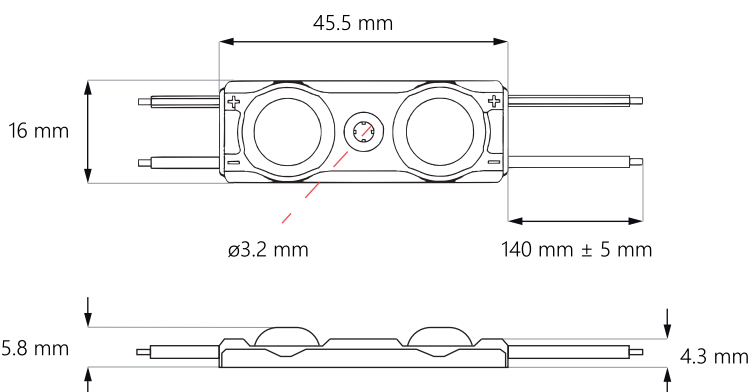
160°



5 Years
Warranty

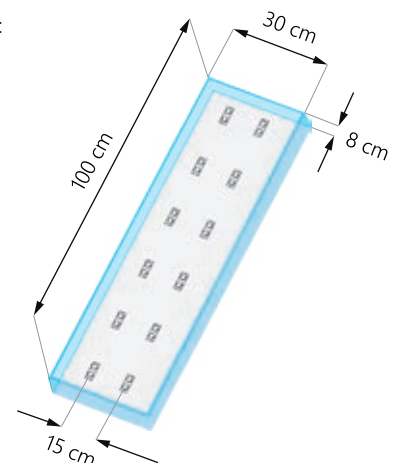


Color temperature



Number of modules:
12

Surface brightness:
2600 lux



Opticor³

best for 10-20 cm

Features

- selected LEDs — high-efficiency diodes 2835 in a housing with heat sink, LM-80's compatible, binned for luminous flux, color temperature / wavelength and forward voltage
- bigger LED chip — more brightness, greater surface area = longer lifespan
- professional lens — 160° bat-wing lens provide greater light scattering, reduce density of the modules in application = reduced cost, and significantly improved illumination uniformity
- stabilizer — constant current integrated circuit
- aluminum PCB — superb heat dissipation
- chain of 30 pieces
- auxiliary assembly with **3M** tape

Application

- 10-20 cm depth large lightboxes and channel letters



1.5W



135lm



Current stabilization



IP67



12V
DC



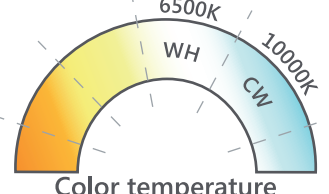
2835



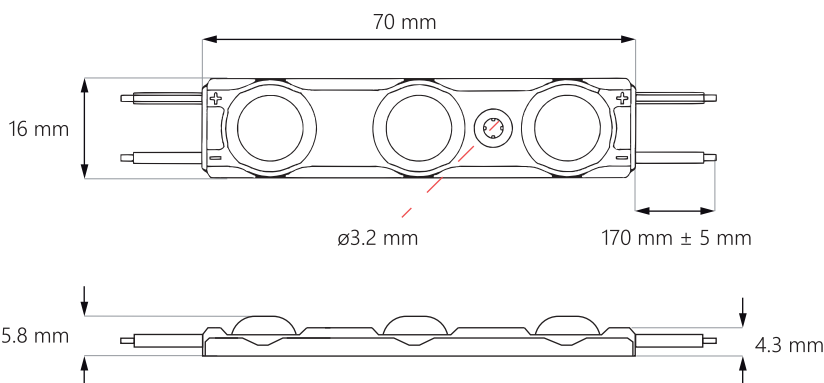
160°



5 Years
Warranty

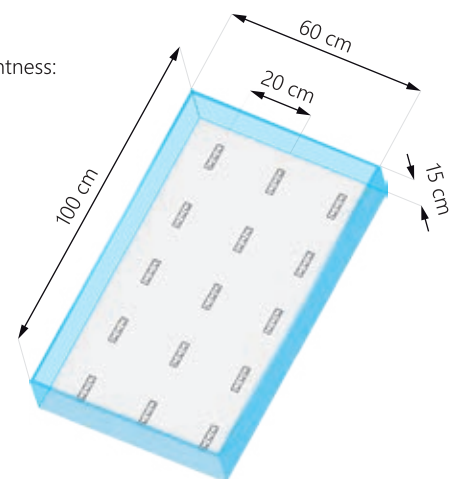


Color temperature



Number of modules:
15

Surface brightness:
2250 lux



Luno

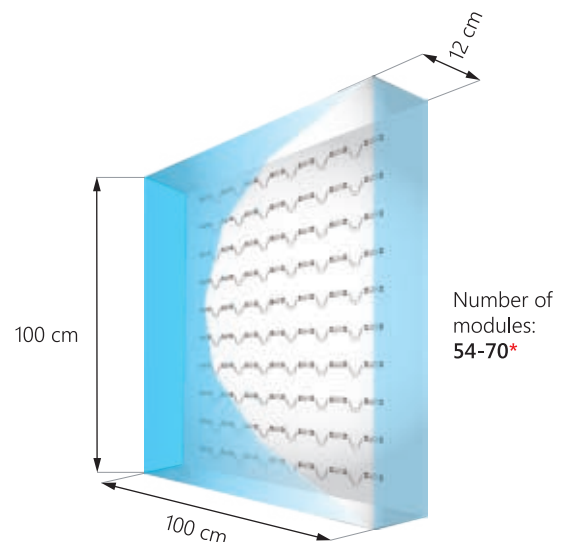
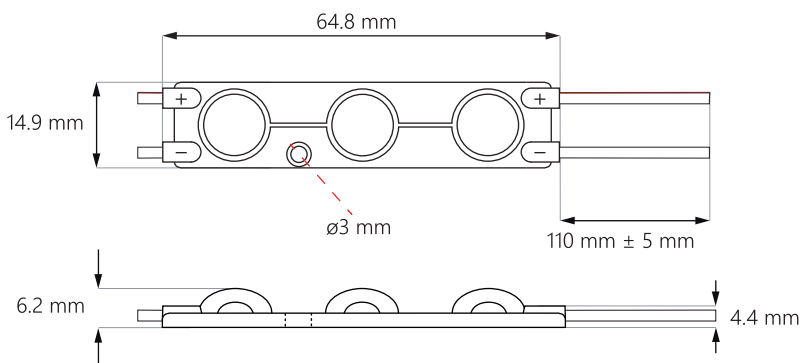
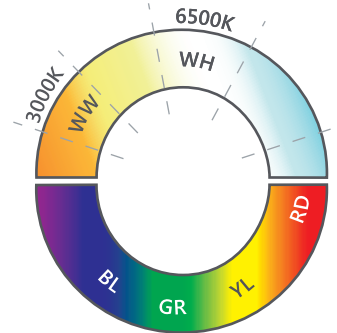
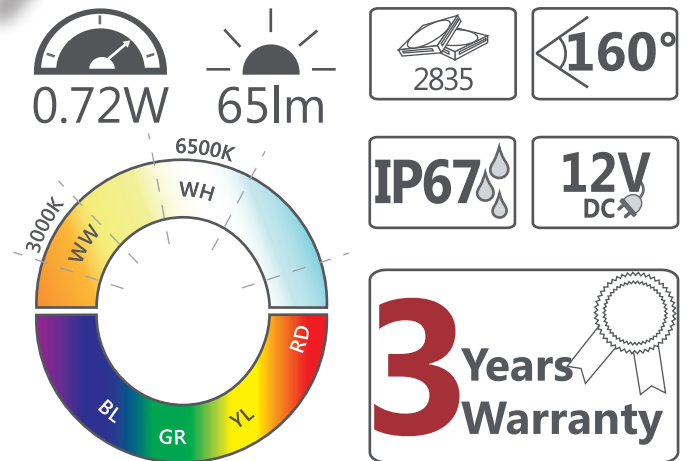
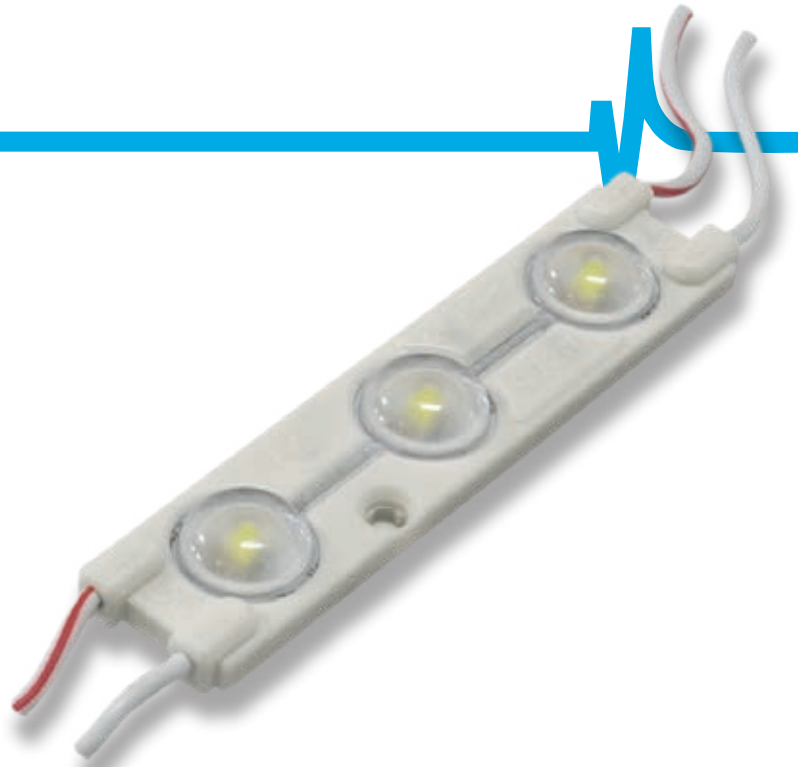
universal module

Features

- selected SMD 2835 LED diode with high luminous efficiency
- shallow housing allows use in even lower light boxes
- professional 160° lens for excellent light scattering
- aluminum PCB for superb heat dissipation
- string of 40 pieces
- auxiliary assembly with **3M** tape

Application

- min. 5 cm depth light boxes, pylons, channel letters, large area advertising



* the exact number of modules depends on the used materials

Disco RGB



for decorative lighting

Features

- selected SMD RGB 5050 diodes with enhanced brightness
- stabilizer – ensuring uniform brightness
- aluminum PCB for superb heat dissipation
- waterproof IP67 housing
- low energy consumption
- chain of 20 pieces
- auxiliary assembly with **3M** tape

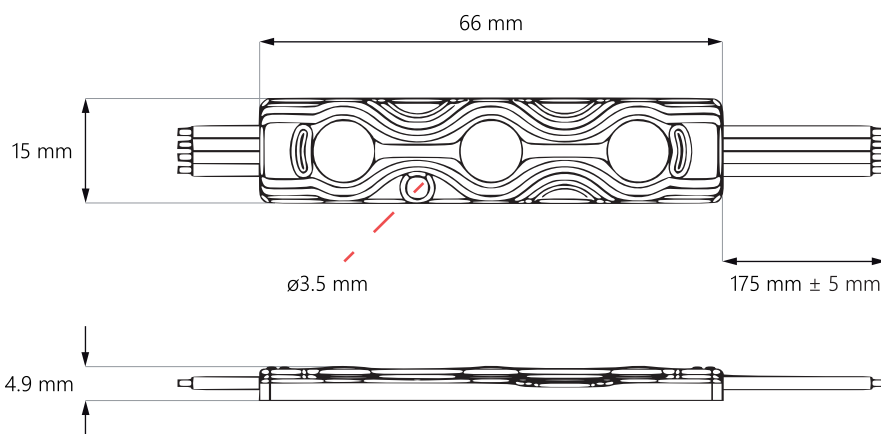


0.72W



Application

- lightboxes, channel letters, neon signs, POS system

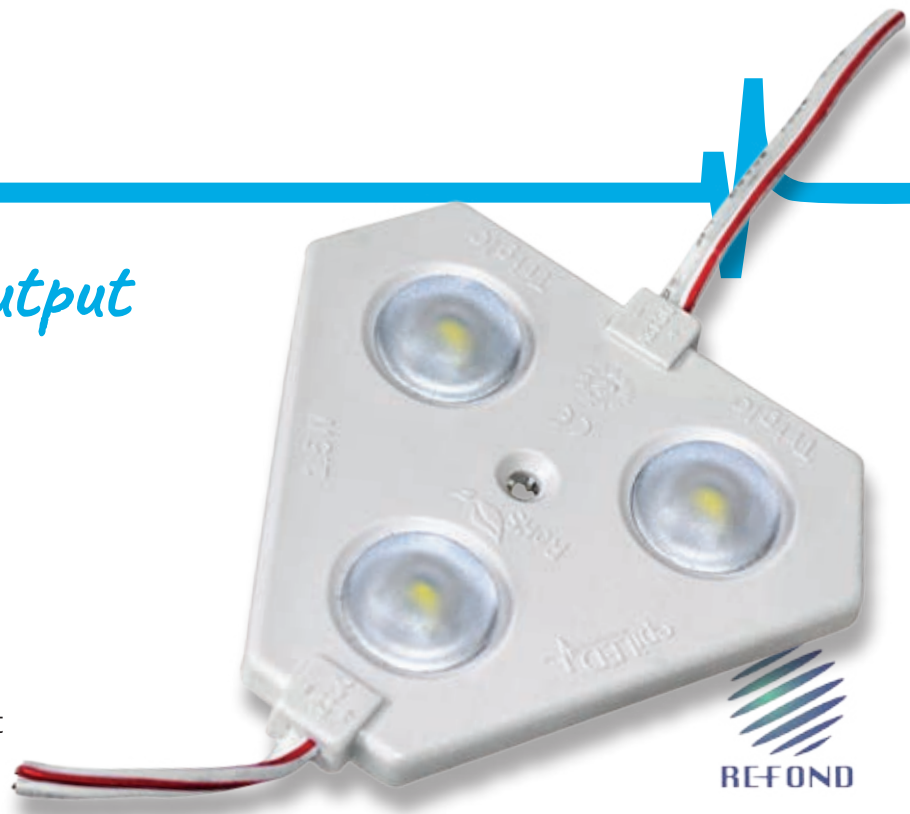


Triglo

homogenous light output

Features

- selected SMD 5730 diode with high luminous efficiency
- unique distribution of LEDs can reduce the quantity of modules in ad
- professional 160° lens for excellent light scattering
- stabilizer — ensuring uniform brightness
- aluminum PCB for superb heat dissipation
- chain of 20 pieces
- auxiliary assembly with **3M** tape



1.5W



130lm



Current stabilization



IP67



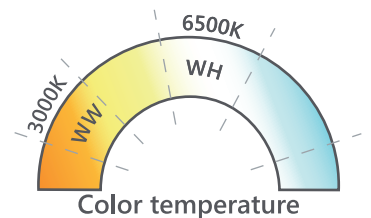
12V
DC



5730

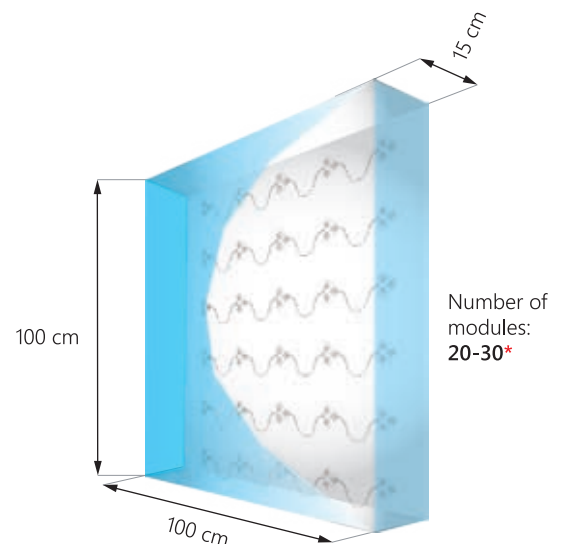
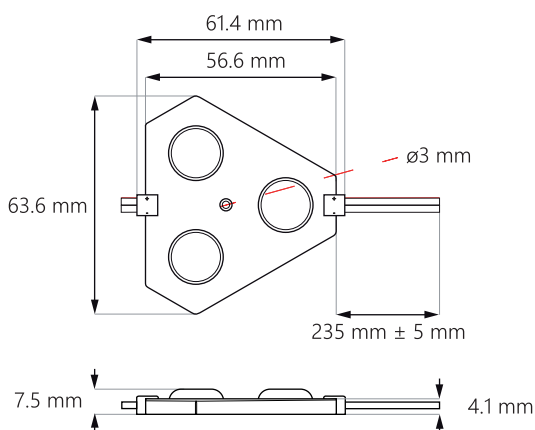


160°



Application

- min. 12 cm depth light boxes, pylons, channel letters, large area advertising



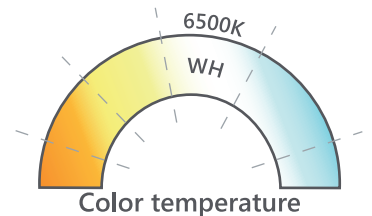
* the exact number of modules depends on the used materials

Ultimo

high power for deep boxes

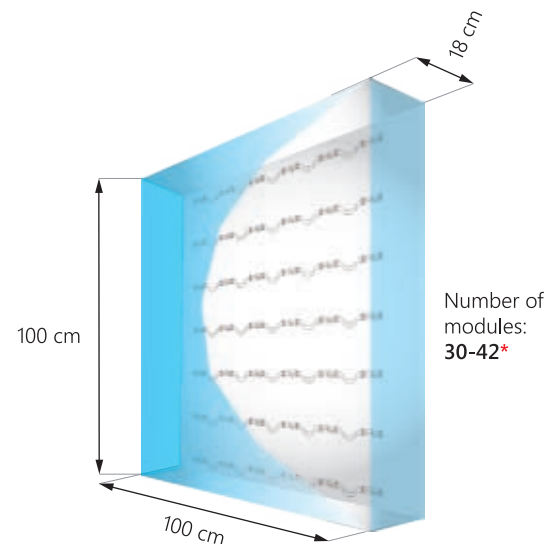
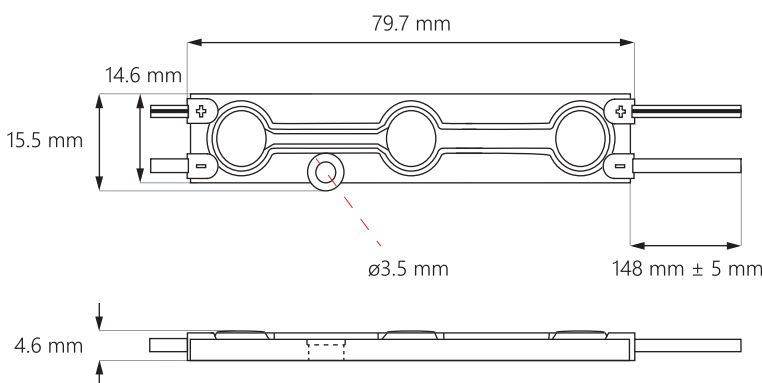
Features

- selected SMD 5730 diode with high luminous efficiency
- thanks to the high lumen output makes it ideal in deep ads
- stabilizer — ensuring uniform brightness
- aluminum PCB for superb heat dissipation
- chain of 20 pieces
- auxiliary assembly with **3M** tape



Application

- min. 15 cm depth light boxes, pylons, large channel letters, large area advertising



* the exact number of modules depends on the used materials

LG Innotek

brandname diode

Features

- selected LG Innotek LED diode with high luminous efficiency
- shallow housing allows use in even lower light boxes
- color temperature: CW — cold white (~10000K)
- stabilizer — ensuring uniform brightness
- aluminum PCB for superb heat dissipation
- chain of 40 pieces
- auxiliary assembly with **3M** tape



1.0W



90lm



Current stabilization



IP67



12V
DC



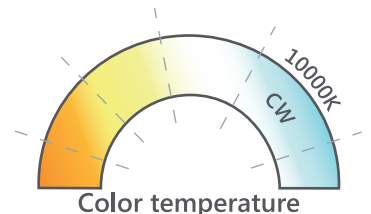
LG Innotek



120°



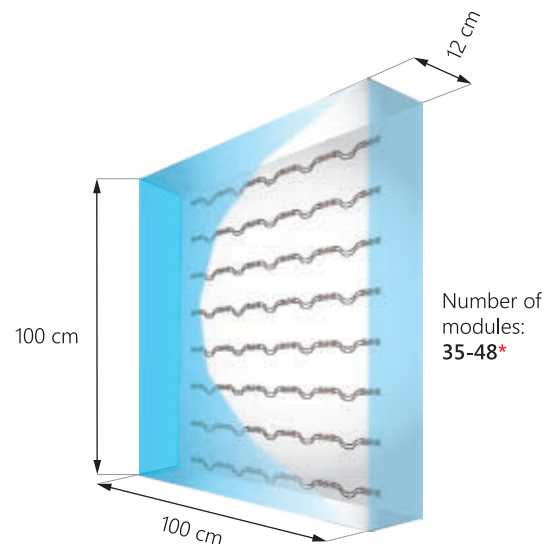
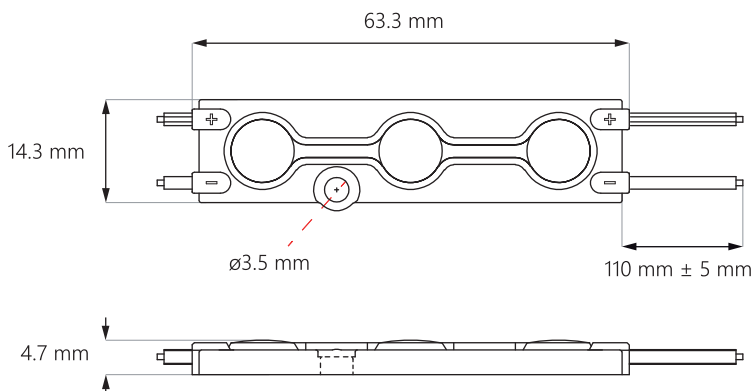
5 Years
Warranty



Color temperature

Application

- 12-18 cm depth light boxes, pylons, channel letters, large area advertising



* the exact number of modules depends on the used materials

Elypso 1.5W

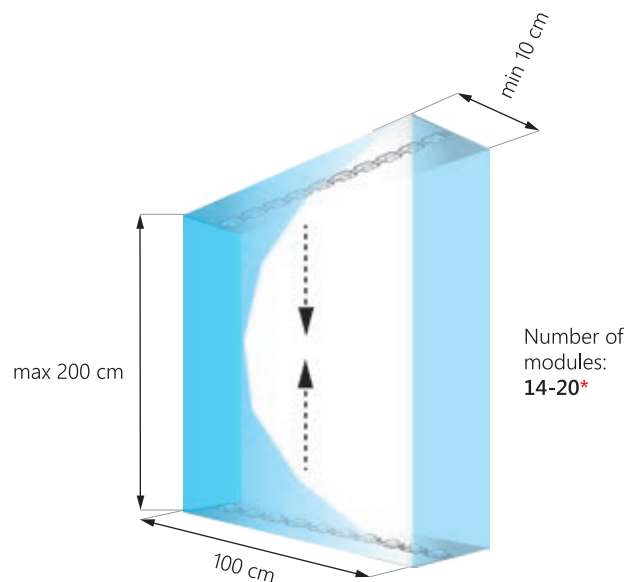
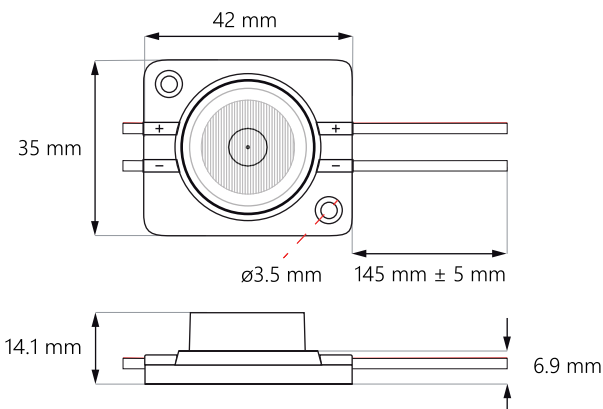
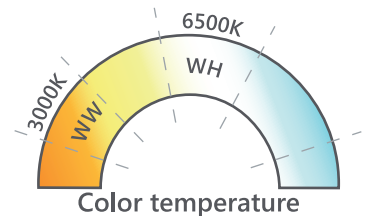
up to 2 meters edge light

Features

- binned power SMD diode with high luminous efficiency
- special lens allows the side installation
- stabilizer — ensuring uniform brightness
- aluminum PCB for superb heat dissipation
- chain of 30 pieces (**can be cut every one piece for the WH module**)
- auxiliary assembly with **3M** tape

Application

- lightboxes, pylons, semaphore boxes, large area advertising (unilateral and bilateral)



* the exact number of modules depends on the used materials

Elypso 3.0W

NEW

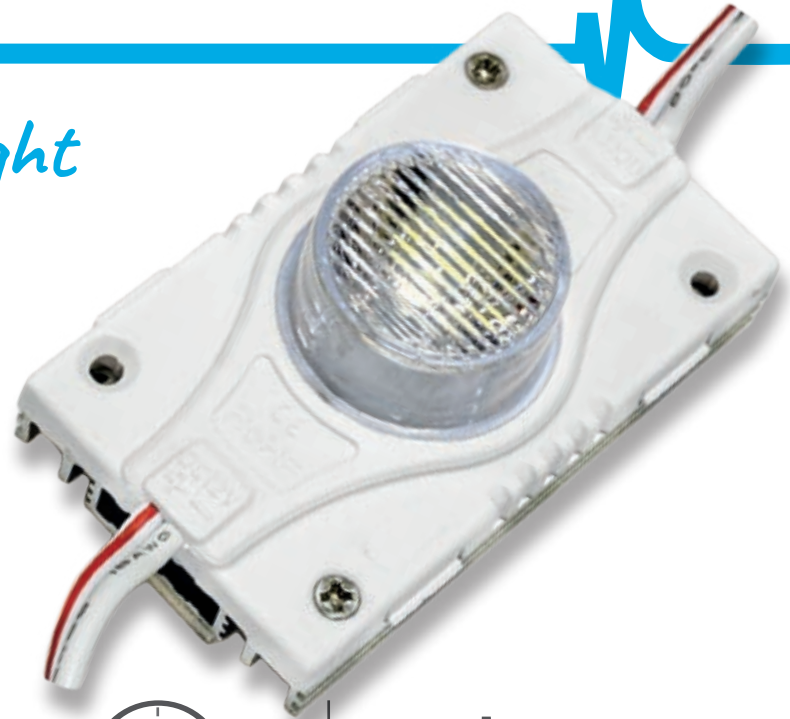
up to 3,5 meters edge light

Features

- binned 3535 LED diode with high luminous efficiency
- heatsink provides passive cooling for diode
- special lens allows the side installation
- stabilizer — ensuring uniform brightness
- aluminum PCB for superb heat dissipation
- chain of 20 pieces (**can be cut every single piece**)
- auxiliary assembly with **3M** tape

Application

- 12-25 cm depth light boxes (unilateral and bilateral)



3.0W



220lm



Current stabilization



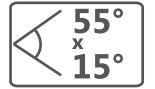
IP67



12V DC



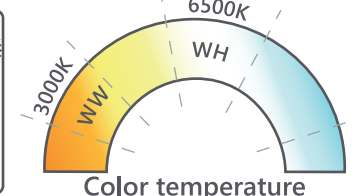
3535



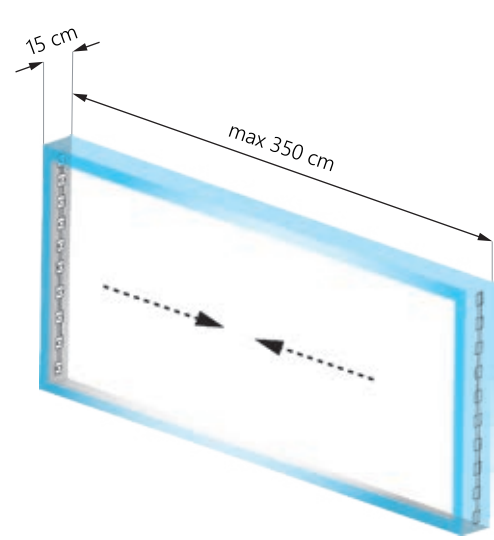
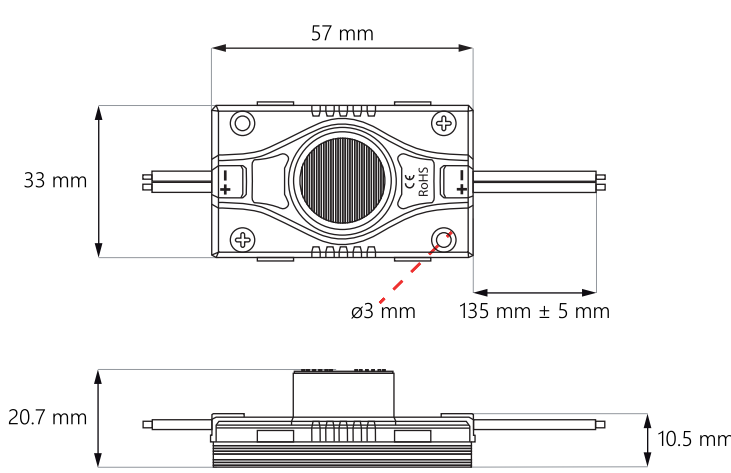
55° x 15°



5 Years Warranty



Color temperature



Elypso 4.5W



extra strong

Features

- binned OSRAM LED diode with high luminous efficiency
- heatsink provides passive cooling for diode
- special lens allows the side installation
- stabilizer — ensuring uniform brightness
- aluminum PCB for superb heat dissipation
- chain of 15 pieces
- auxiliary assembly with **3M** tape



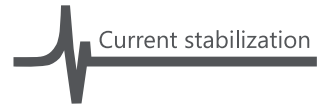
OSRAM



4.5W



400lm



Current stabilization



IP67



12V
DC



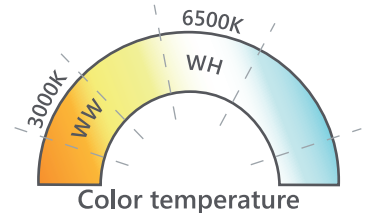
OSRAM LED



55°
x
15°



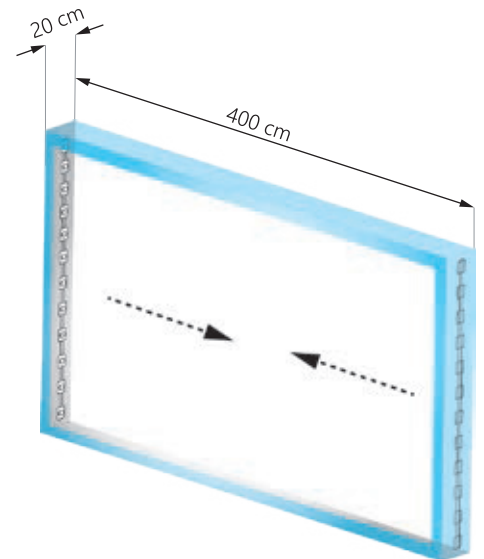
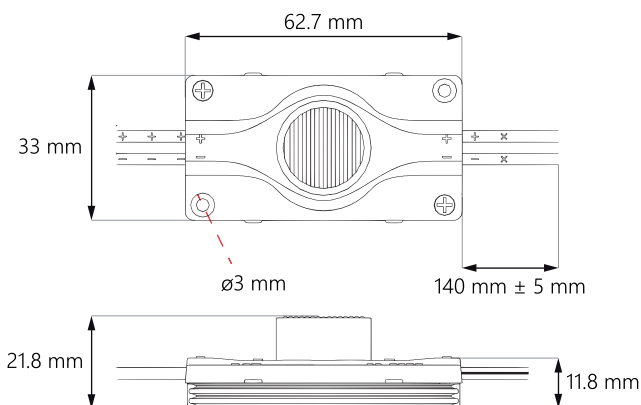
5 Years
Warranty



Color temperature

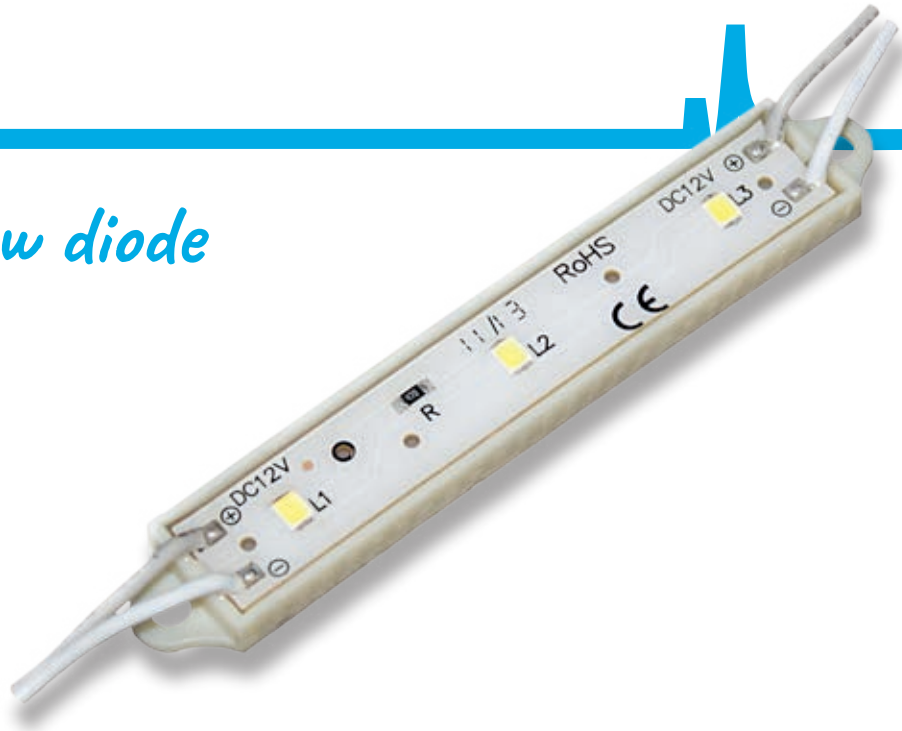
Application

- 15-30 cm depth light boxes (unilateral and bilateral)



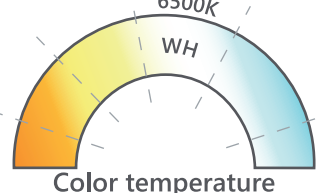
ERA3

classic housing + new diode



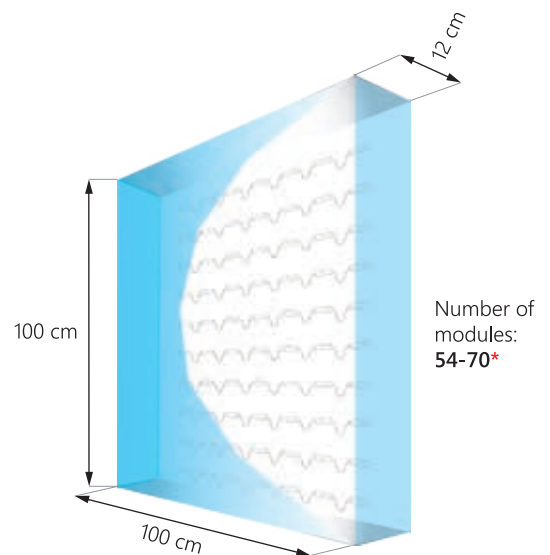
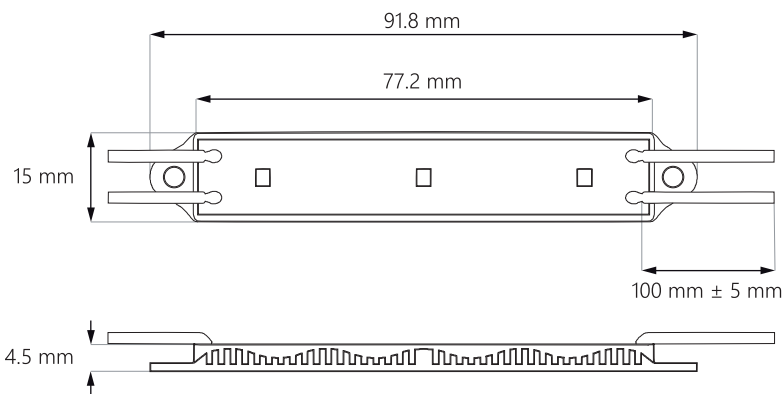
Features

- selected SMD 2835 diodes with enhanced brightness
- waterproof IP65 housing
- low energy consumption
- compact size
- lifetime up to 50 000 hours
- chain of 20 pieces
- auxiliary assembly with **3M** tape



Application

- 10-15 cm depth lightboxes, channel letters, neon signs and POS systems



* the exact number of modules depends on the used materials

ER13

new version of ERS3 module



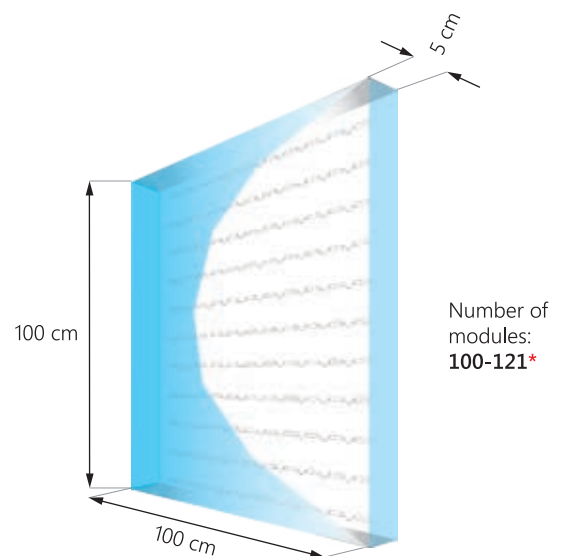
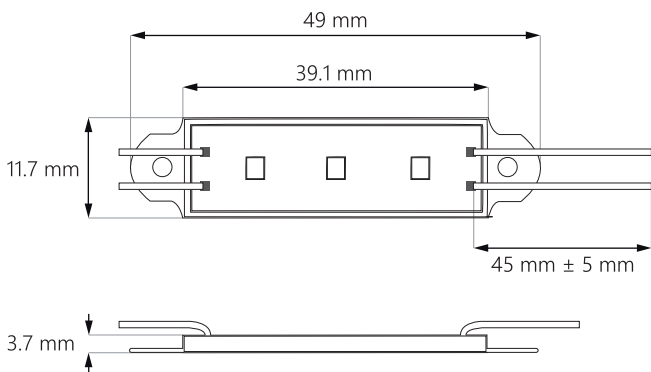
Features

- selected SMD 2835 (0.1 W) diodes with enhanced brightness
- aluminum PCB for superb heat dissipation
- waterproof IP65 housing
- low energy consumption
- compact size
- lifetime up to 50 000 hours
- chain of 20 pieces
- auxiliary assembly with **3M** tape

0.3W 30lm 2835 120°
 3000K WW WH CW 1000K 6500K
 BL GR YL RD
 IP65 12V DC
 2 Years Warranty

Application

- 5-12 cm depth lightboxes, channel letters, neon signs and POS systems



* the exact number of modules depends on the used materials

ERS3L

extended housing module



Features

- selected SMD 3528 diodes with enhanced brightness
- waterproof IP65 housing
- low energy consumption
- compact size
- lifetime up to 50 000 hours
- chain of 20 pieces
- auxiliary assembly with **3M** tape



0.3W



21lm



IP65



12V
DC



2835



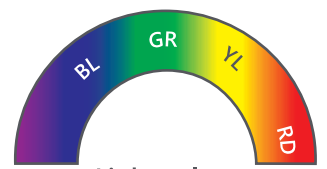
120°

Application

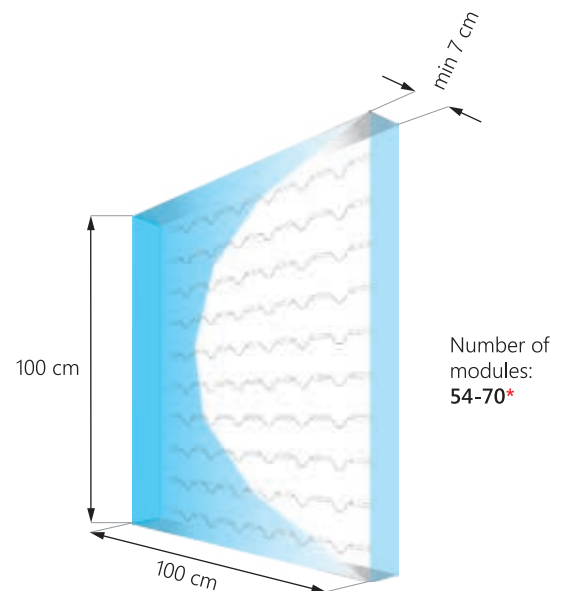
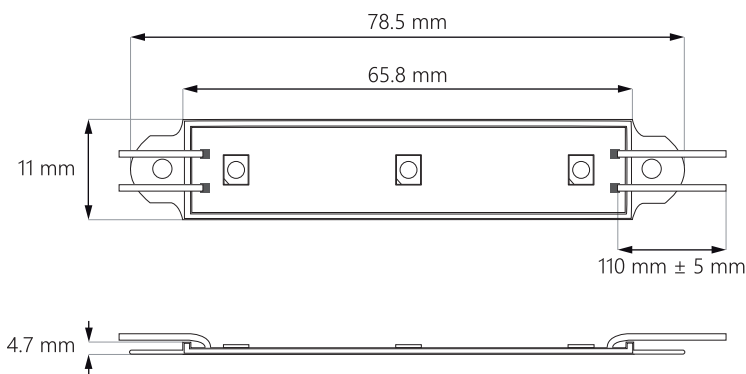
- 7-10 cm depth lightboxes, channel letters, neon signs and POS systems



2 Years
Warranty



Light colors



* the exact number of modules depends on the used materials

LED Strips

Strip standards

PREMIUM Line

- High class LED diodes by **REFOND**
Optoelectronics binned uniform light output
- 24 months warranty
- self-adhesive **3M** tape
- double backing PCB

PREMIUM Line



STANDARD PLUS Line

- diodes with high luminous efficiency
- 12 months warranty
- self-adhesive **3M** tape
- great value for the price

STANDARD+ Line



ECO Line

- standard diodes
- self-adhesive tape

ECO Line





LED type

LED strips based on various LEDs for different applications.

- **standard LEDs**
SMD 2835, SMD 3528*
- **LEDs arranged alternately WW/WH**
SMD 3528 WW/WH
- **Side View LED**
SMD 335**
- **LEDs changing colors**
SMD 5050 RGB
- **LEDs changing colors dot-by-dot**
SMD 5050 DBD

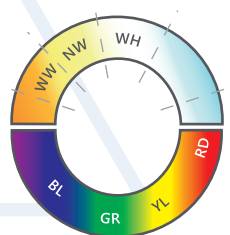


LED type	Power / 5 m	LED Density / 5 m	Shortest section
SMD 2835 0.1W	30 W	300 pcs	2.5 cm
	48 W	600 pcs	5 cm
SMD 2835 0.2W	60 W	300 pcs	5 cm
	96 W	600 pcs	2.5 cm
SMD 3528*	29 W	360 pcs	4 cm
	30 W	300 pcs	2.5 cm
	48 W	600 pcs	5 cm
SMD 3528 WW/WH	48 W	600 pcs	10 cm
Side View SMD 335**	24 W	300 pcs	5 cm
	48 W	600 pcs	2.5 cm
SMD 5050 RGB	36 W	150 pcs	10 cm
	72 W	300 pcs	5 cm
SMD 5050 DBD	36 W	160 pcs	3.2 cm

* until stocks are exhausted
** on request

Colors

Our offer includes LED strips in many colors. Ask our sales agents for further details.



Symbol	Color	Color temperature	Wave length
WW	warm white	2800-3200K	
NW	neutral white	3800-4200K	
WH	white	6000-7000K	
BL	blue		460-475 nm
GR	green		515-530 nm
YL	yellow		585-595 nm
RD	red		620-630 nm
RGB	RGB		
DBD	dot-by-dot		

IP Rating

If your criterion for LED strips's selection is IP Rating you can choose from the three we have.



IP Number	Protection against SOLIDS	Protection against LIQUIDS
IP20	Protected from touch by fingers and objects greater than 12 millimeters.	Not protected from liquids.
IP65	Protected from total dust ingress.	Protected from low pressure water jets from any direction.

3D Strip

bendable flexible strip

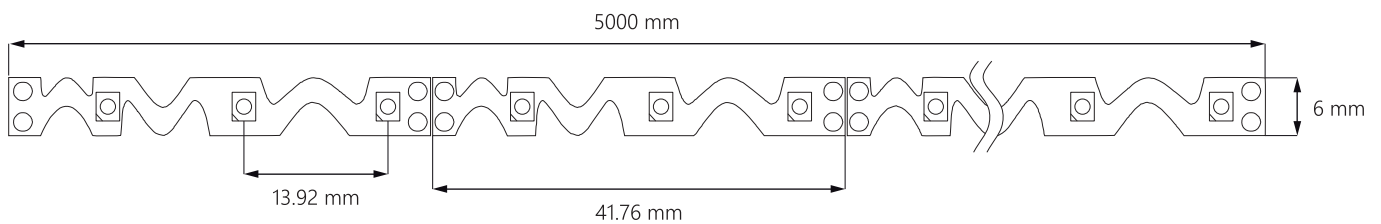
Features

- selected SMD3528 LEDs with high luminous efficiency produced by REFOND Optoelectronics
- LEDs density — 72 LEDs / meter
- cuttable every 4 cm
- color temperature:
 WW — warm white (~3000K)
 WH — white (~6500K)
- assembly with tape

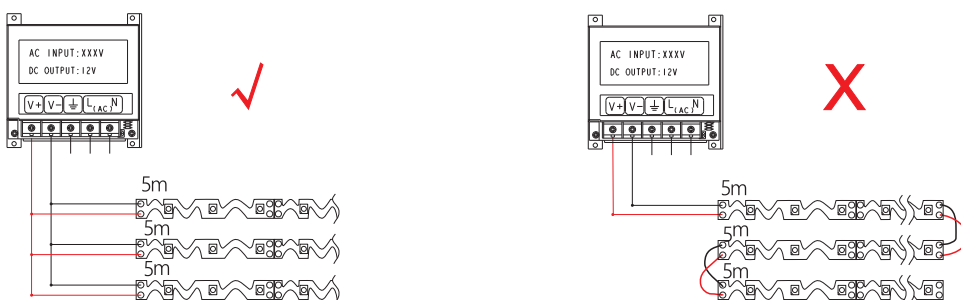


29W	2520lm	360xSMD	5m
IP20	12V DC	4cm	120°
2 Years Warranty			Color temperature 3000K WW WH 6500K

Dimensions



Installation Instruction



ePiPIXEL

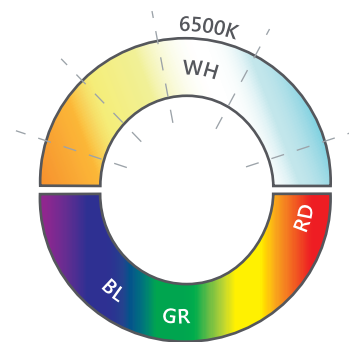
set any color you want



Features

- superbright SMD top LED — high brightness output, no spot and shadow
- EPISTAR LED chip — good color uniformity, long life and energy saving
- different dynamic effects — gradient, jumping, chasing, scanning and many more
- used in all kinds of plate punching — i.e. electrolytic plate, aluminum-plastic plate, iron plate, stainless steel plate, etc.)
- chain of 50 pieces
- fast & easy installation

EPISTAR



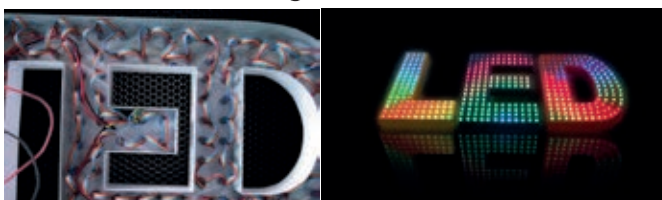
Accessories

Our offer includes also compatible with the ePiPIXEL accessories:

- Power Supplies (Page 30-32)
- Controllers (Page 34)

Application

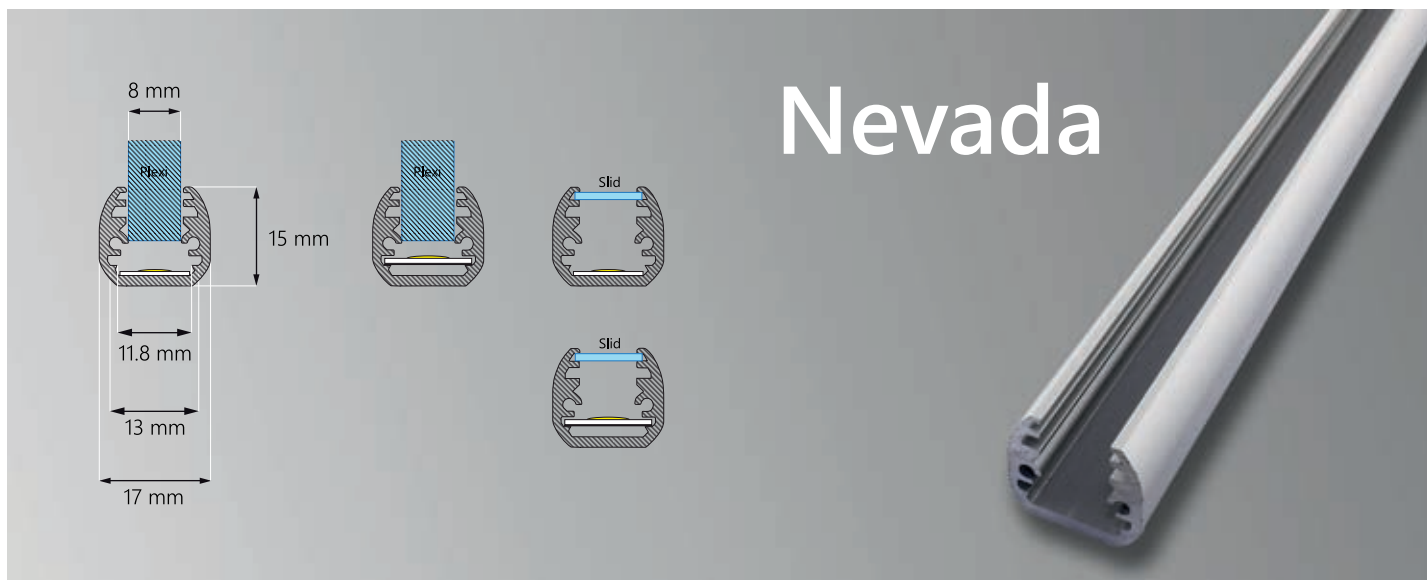
- decorative lights for events, exhibitions
- outdoor advertising



MODEL	ePiPIXEL - mono	ePiPIXEL - RGB	ePiPIXEL - DBD
OUTPUT VOLTAGE	5 V DC		
BEAM ANGLE	120°		
POWER/PCS	0.1 W	0.3 W	
DRIVE CURRENT/PCS	20 mA	60 mA	
LED TYPE	9 mm single color LED	12 mm RGB LED	
COLORS	WH, RD, BL, GR	Full color	
DIMENSIONS	ø9 mm x 20 mm	ø12 mm x 31 mm	ø12 mm x 38 mm
WORKING TEMP.	-35 ÷ +55°C		
LIFESPAN	~50 000 h		
IP RATING	IP66		

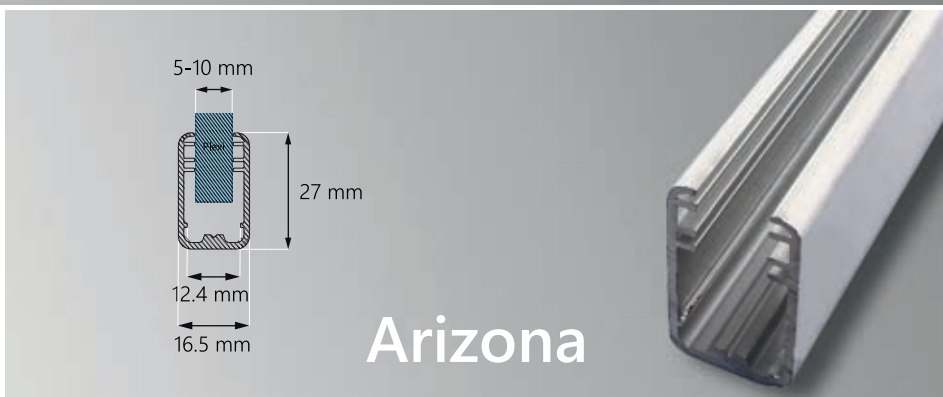
Profiles for advertising

edge lighting



You can choose from wide range of models. These easy mounted products are designed to conduct heat from LEDs.

Properly chosen profile assures optimal diodes work and extends product life-span.

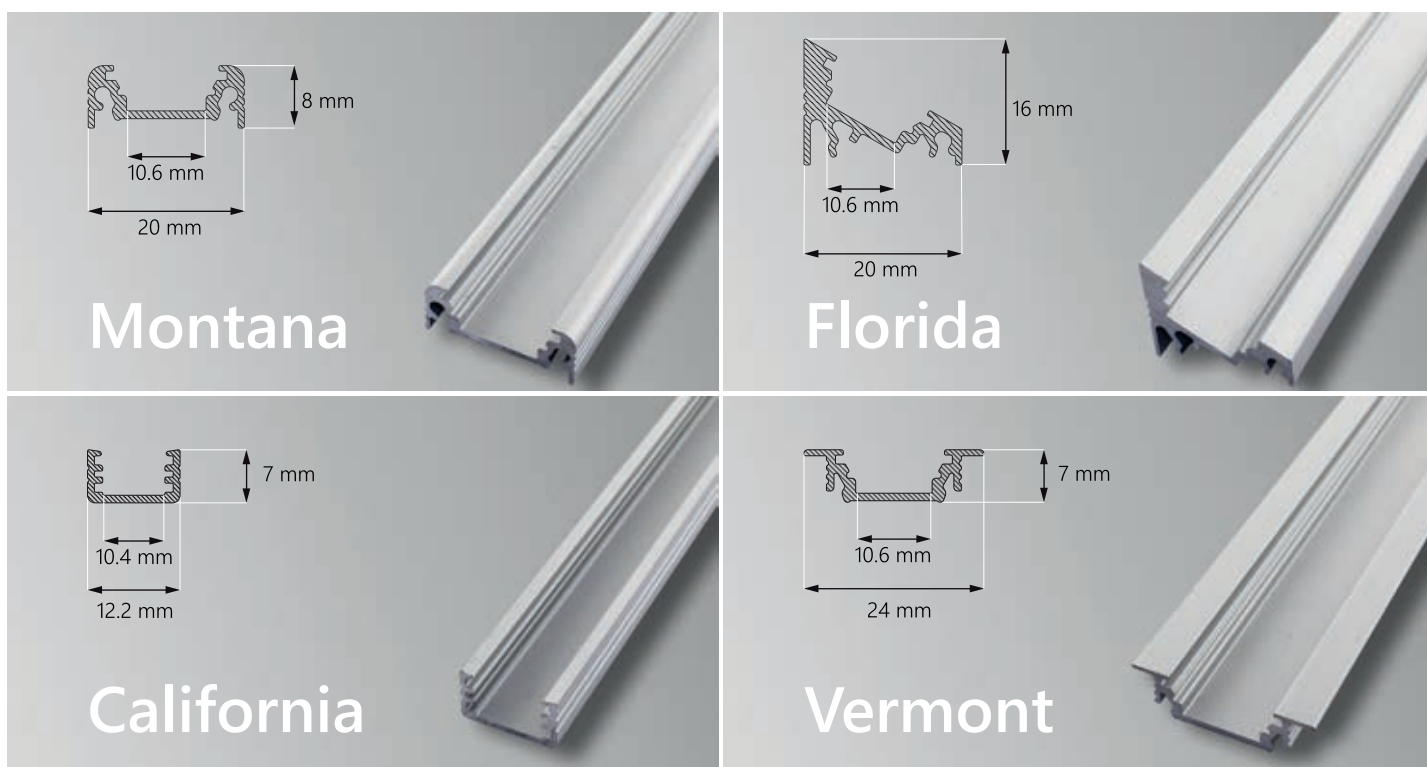


MODEL	MATERIAL	AVAILABLE LENGTHS	LED STRIP WIDTH	WEIGHT (1 m)	MOUNTING	IP RATING	ACCESSORIES
Arizona	anodized aluminium	1 m / 2 m	12 mm	0.284 kg	screws or double-sided tape	IP20	end caps, mounting brackets, angle connectors, covers
Utah			10 mm	0.171 kg			
Nevada			11.4 / 12.6 mm	0.232 kg			



Profiles for lighting

elegant complement for LED stripes



MODEL	MATERIAL	AVAILABLE LENGTHS	LED STRIP WIDTH	WEIGHT (1 m)	MOUNTING	IP RATING	ACCESSORIES
Montana	anodized aluminium	1 m / 2 m	10 mm	0.145 kg	brackets, screws, double-sided tape, glue	IP20	end caps, mounting brackets, angle connectors, covers
Florida			10 mm	0.210 kg			
California			8 mm	0.060 kg			
Vermont			10 mm	0.136 kg			

Accessories



Power Supplies

LPV/LPH series – low cost & high reliability

- protections: short circuit / over current / over voltage / over temperature*
- 100% full load burn-in test
- class 2 power unit / pass LPS
- isolation class II, no F.G.
- cooling by free air convection
- suitable for LED lighting and moving sign application
- **3 years warranty**



MODEL	OUTPUT VOLTAGE	MAX CURRENT	MAX POWER	INPUT VOLTAGE	WORKING TEMP.	DIMENSIONS	WEIGHT	IP RATING
LPV-35-12	12 V	3 A	36 W	90 ~ 264 V AC, 127 ~ 370 V DC	-30°C ÷ +65°C	148 x 40 x 30 mm	0.34 kg	IP67
LPV-35-24	24 V	1.5 A						
LPV-60-5	5 V	8 A	40 W	90 ~ 264 V AC, 127 ~ 370 V DC	-30°C ÷ +70°C	162.5 x 42.5 x 32 mm	0.4 kg	
LPV-60-12	12 V	5 A						
LPV-60-24	24 V	2.5 A						
LPV-100-5	5 V	12 A	60 W	90 ~ 264 V AC, 127 ~ 370 V DC	-25°C ÷ +70°C	190 x 52 x 37 mm	0.63 kg	
LPV-100-12	12 V	8.5 A						
LPV-100-24	24 V	4.2 A	100.8 W					
LPV-150-12	12 V	10 A	120 W	180 ~ 305 V AC, 254 ~ 431 V DC	-25°C ÷ +65°C	191 x 63 x 37.5 mm	0.74 kg	
LPV-150-24	24 V	6.3 A						
LPV-18-12	12 V	1.5 A	18 W	80 ~ 264 V AC, 254 ~ 370 V DC	-30°C ÷ +70°C	140 x 30 x 22 mm	0.175 kg	IP67
LPV-18-24	24 V	0.75 A						

* available in LPH-18 only

HLG series – high efficiency with PFC

- protections: short circuit / over current / over voltage / over temperature
- built-in active PFC function
- fanless design, cooling by free air convection
- withstand 5G vibration test
- meet 4kV surge immunity level (IEC61000-4-5)
- built-in constant current limiting circuit
- suitable for general industrial applications at high/low temperature, high dust, high moisture, high vibration
- **7 years warranty**



MODEL	OUTPUT VOLTAGE	MAX CURRENT	MAX POWER	INPUT VOLTAGE	WORKING TEMP.	DIMENSIONS	WEIGHT	IP RATING
HLG-150H-12	12 V	12.5 A	150 W	90 ~ 305 V AC, 127 ~ 431 V DC	-40°C ÷ +70°C	228 x 68 x 38.8 mm	1.15 kg	IP65
HLG-240H-12		16 A	192 W			244.2 x 68 x 38.8 mm	1.3 kg	
HLG-320H-12		22 A	264 W			252 x 90 x 43.8 mm	1.88 kg	



ELG series – optimal price-performance ratio

- protections: short circuit / over current / over voltage / over temperature
- **grounded housing**
- built-in active PFC function
- cooling by free air convection
- built-in 3 in 1 dimming function (0~10Vdc or 10V PWM signal or resistance) for B-Type
- comply with harmonic current limit per EN61000-3-2 Class C (~50% load)
- meet 6kV surge immunity level (EN61000-4-5)
- type "HL" LED drivers for use in Class I, Division 2 hazardous (Classified) location luminaries
- suitable for LED street lighting and outdoor LED lighting
- **5 years warranty**



MODEL	OUTPUT VOLTAGE	MAX CURRENT	MAX POWER	INPUT VOLTAGE	WORKING TEMP.	DIMENSIONS	WEIGHT	IP RATING
ELG-150-12	12 V	10 A	120 W	180 ~ 295 V AC, 255 ~ 417 V DC	-40°C ÷ +90°C	219 x 63 x 35.5 mm	0.88 kg	IP67

LRS series – most economical with safety certificates

- protections: short circuit / over current / over temperature* / over voltage
- AC input range selectable by switch*
- 100% full load burn-in test
- cooling by free air convection
- withstand 5G vibration test
- ultra compact and 1U low profile
- operating altitude up to 5000 meters
- compliance to IEC/EN60335-1(PD3) and IEC/EN61558-1, -2-16 for household appliances
- LED indicator for power on
- **3 years warranty**



MODEL	OUTPUT VOLTAGE	MAX CURRENT	MAX POWER	INPUT VOLTAGE	WORKING TEMP.	DIMENSIONS	WEIGHT	IP RATING
LRS-50-12	12 V	4.2 A	50.4 W	85 ~ 264 V AC, 120 ~ 373 V DC	-30°C ÷ +70°C	99 x 82 x 30 mm	0.23 kg	IP20
LRS-100-12		8.5 A	102 W			129 x 97 x 30 mm		
LRS-150-12		12.5 A	150 W	100 ~ 120 V AC, 200 ~ 240 A DC		159 x 97 x 30 mm		

* only in LRS-150

Power Supplies

EZN series – desktop type

- minimum power consumption at no load
- wide input voltage range
- plug type: 2.1/5.5 mm*
- relatively small size
- fully enclosed plastic case*
- low cost
- DC plug changeable**
- wall plug-in power supply perfect for edge light sign boxes/engraved presenters***
- 1 year warranty



MODEL	OUTPUT VOLTAGE	MAX CURRENT	MAX POWER	INPUT VOLTAGE	WORKING TEMP.	DIMENSIONS	WEIGHT	IP RATING		
EZN-6-12	12 V	0.5 A	6 W	100 ~ 240 V AC	0°C ÷ +50°C	74 x 50 x 29 mm	0.12 kg	IP20		
EZN-12-12		1 A	12 W				0.12 kg			
EZN-15-12		1.25 A	15 W			75 x 34 x 30 mm	0.14 kg			
EZN-25-12		2 A	24 W			98.5 x 51 x 32.5 mm	0.16 kg			
EZN-36-12		3 A	36 W			118.8 x 52.5 x 32 mm	0.18 kg			
EZN-60-12	24 V	5 A	60 W			119 x 59 x 38 mm	0.19 kg		132 x 58 x 31 mm	0.28 kg
EZN-60-24		2.5 A	60 W			163 x 65 x 38 mm	0.48 kg			
EZN-72-12	12 V	6 A	72 W			200 ~ 240 V AC			211 x 77 x 53 mm	0.9 kg
EZN-120-12		10 A	120 W							
EZN-170-12		14.2 A	170 W							

* except in EZN-170

** available in EZN-36 – EZN-120 models

*** only in EZN-15

EZS series – indoor/enclosed

- economical non-PFC models
- protections: short circuit / overload / over voltage
- high efficiency
- cooling by free air convection
- universal AC input
- compact design
- high reliability / low cost
- 1 year warranty



MODEL	OUTPUT VOLTAGE	MAX CURRENT	MAX POWER	INPUT VOLTAGE	WORKING TEMP.	DIMENSIONS	WEIGHT	IP RATING
EZS-15-12	12 V	1.25 A	15 W	170 ~ 250 V AC	-20°C ÷ +70°C	71 x 40 x 31 mm	0.07 kg	IP20
EZS-25-12		2.08 A	25 W			86 x 59 x 33 mm	0.14 kg	
EZS-36-12		3 A	36 W			110 x 78 x 36 mm	0.23 kg	
EZS-60-12		5 A	60 W			129 x 97.5 x 41 mm	0.36 kg	

LED Panels

state of the art LED panel



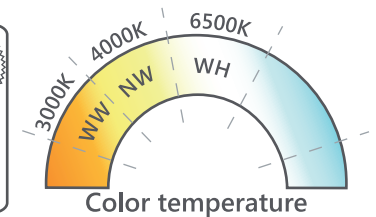
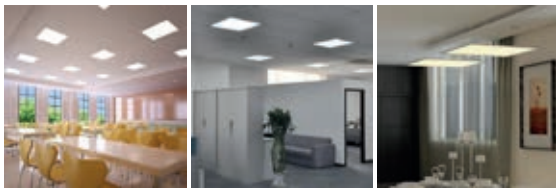
Features

- top class Mitsubishi light guide plate
- high brightness Samsung LED diodes
- anodized aluminum frame
- easy maintenance and cleaning
- no glare



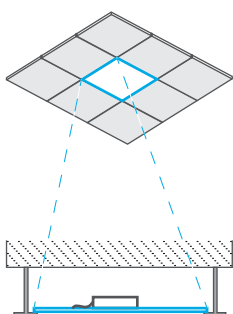
Applications

- suitable both for new construction and retrofit applications
- general lighting, office, retail, healthcare, education

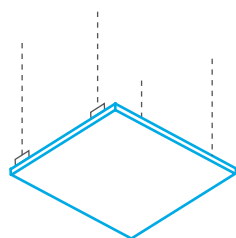


Mounting

recessed



suspended



MODEL	PNL60	PNL60HP	PNL62HP
POWER	36 W	60 W	
LUMINOUS FLUX	2700 lm	4700 lm	
BEAM ANGLE	120°		
CRI	≥82*		
IP RATING	IP20		
COLOR TEMPERATURE	WW ~3000K, NW ~4000K, WH ~6500K**		
NO. OF SWITCHING CYCLES	30 000		
DIMMING	no (dimming available as the option)		
START TIME	1 s		
LIFESPAN	~70 000 h		
POWER SUPPLY	100-240 V AC, 50÷60 Hz		
WORKING TEMPERATURE	-35°C ÷ +55°C		
DIMENSIONS (L x W x D)	598 x 598 x 7.5 mm		618 x 618 x 7.5 mm
NET WEIGHT	2640g		2850g

we can also provide LED panels in other dimensions



* on special request CRI > 90 can be provided
** available on special request

Controllers



EC-4ZONE-RGB-CONTROLLER

RGB color changing in 4 zones
dimming
9 light effects

6A 12/24V RF ~30 m



EC-4ZONE-RGB-REMOTE

255 colors
9 modes

2 x ~30 m



EC-DMX-Driver

convert C/A signal DMX
256-level brightness
full-color control

5A 12/24V



EC-Touch

RGB color changing
dimming
20 light effects

6A 12V/24V RF ~30 m



ECR-24k-IR

RGB color changing
dimming
20 light effects

2A 12V IR



EC-Mini

19 light effects
dimming (5 levels)
speed adjustment

5A 12V/24V



ECD-4ZONE-CONTROLLER

dimming in 4 zones

2 x 6A 12/24V RF



ECD-4ZONE-REMOTE

rotating wheel

2 x ~30 m



ECD-RF

dimming

8A 12/24V RF ~100 m



ECD-Mini

switcher/dimmer
dimming (8-levels)
adjustment speed

2A 12/24V



ESN-SDIM

switcher/dimmer

2A 10 ÷ 30V



ESN-IR

proximity/field sensor
2 modes (Touch & Door)

2A 10 ÷ 30V IR



ESN-01

proximity/field sensor
2 modes (Touch & Door)

2A 12/24V IR



ESN-PIR

PIR sensor
2 delay settings
range adjustment

2A 10 ÷ 30V PIR



EC-DBD

83 light effects
speed adjustment (100 steps)

5 ÷ 24V RF IC 2048



EC-DBD-SSD

individual lighting effects
dedicated software
record programs on the SD card

5 ÷ 24V IC 2048



EC-AMP-Mini

amplifier

3 x 4A 5 ÷ 24V

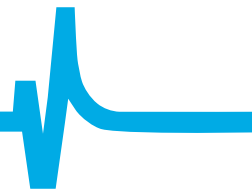


EC-Amplifier

amplifier

3 x 8A 12/24V

Accessories



Single / Multi-core wires

100% copper
Polish product
12/24V DC and 230V AC

WIRES

Maintenance electronics

protecting electronics
from weather conditions



221 Series

40% smaller than 222 Series
transparent housing

WAGO

222 Series



Connectors with wire

IR RGB controller connector with wire
connector with wire 15 cm
socket and plug 2.1 x 5.5

Cubes

cube with plug 2.1 x 5.5
cube with socket 2.1 x 5.5



LED CONNECTORS



IP68 connectors

connector with plug 3.5 x 5.5
connector RGB 4PIN

Quick joints

quick joint with wire up to 1 m
quick joint with double clamp joint 8 mm



Double clamps with wire

two-sided connectors with clamps
for 8/10 mm LED stripe



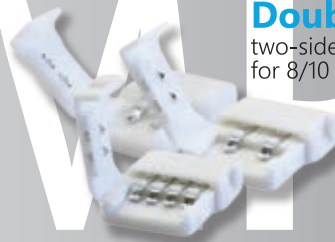
Clamps with wire

clamps for 8/10 mm LED stripe



RGB clamps with wire

connectors with single/double/IR clamps
for 10 mm RGB LED stripe



Double clamps

two-sided (RGB) clamps
for 8/10 mm LED strip

CLAMPS



Clamps with socket

connectors with clamp, socket 2.1/5.5
for 8/10 mm stripes



EKONN
TECHNOLOGIES
www.ekonn.sk

EKONN spol. s.r.o.

Trst'any 52

044 45 Trst'any

Košice okolie

SK - Slovak Republic

IČ: 47 709 481

VAT: SK2024056540

Phone number:

+421 949 347 438

email:

ekonn@ekonn.sk

webpage:

www.ekonn.sk