

### Technical data

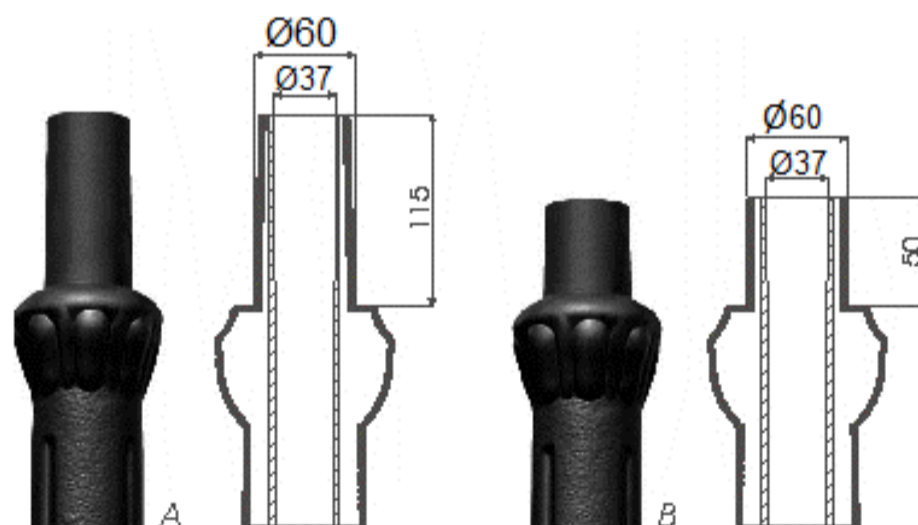
Pole		S-40W**	
Height H [m]		4,03	
Colour		czarny	
Standard pole (code)	Spigot ending	A	14011
		B	14021
High thermal resistance pole (code)		A	14011F
		B	14021F
Net weight [kg]		A	42,0
		B	33,0
Volume [m <sup>3</sup> ]*		A, B	0,14
Pole top mounted		pole spigot „B” – Ø60 – OS-1, OP, OPA-1	
Compatible extension arms		pole spigot „A” – Ø60 – arm systems: 1, 2, 2+1, 3, 3+1	
Concrete footing / reinforcement basket		B-40B / Z-40B	
Concrete footing code/reinforcement basket		311140B / 311204B	
Nut set code		311003	

\* For order of more than 10 pcs stated volume may change according to packing

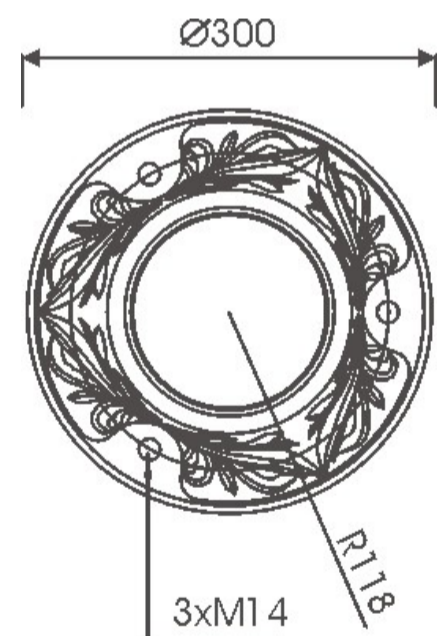
\*\* pole with chamber

4030

### Spigot ending types



### Pole base scheme



Ø300 [mm]