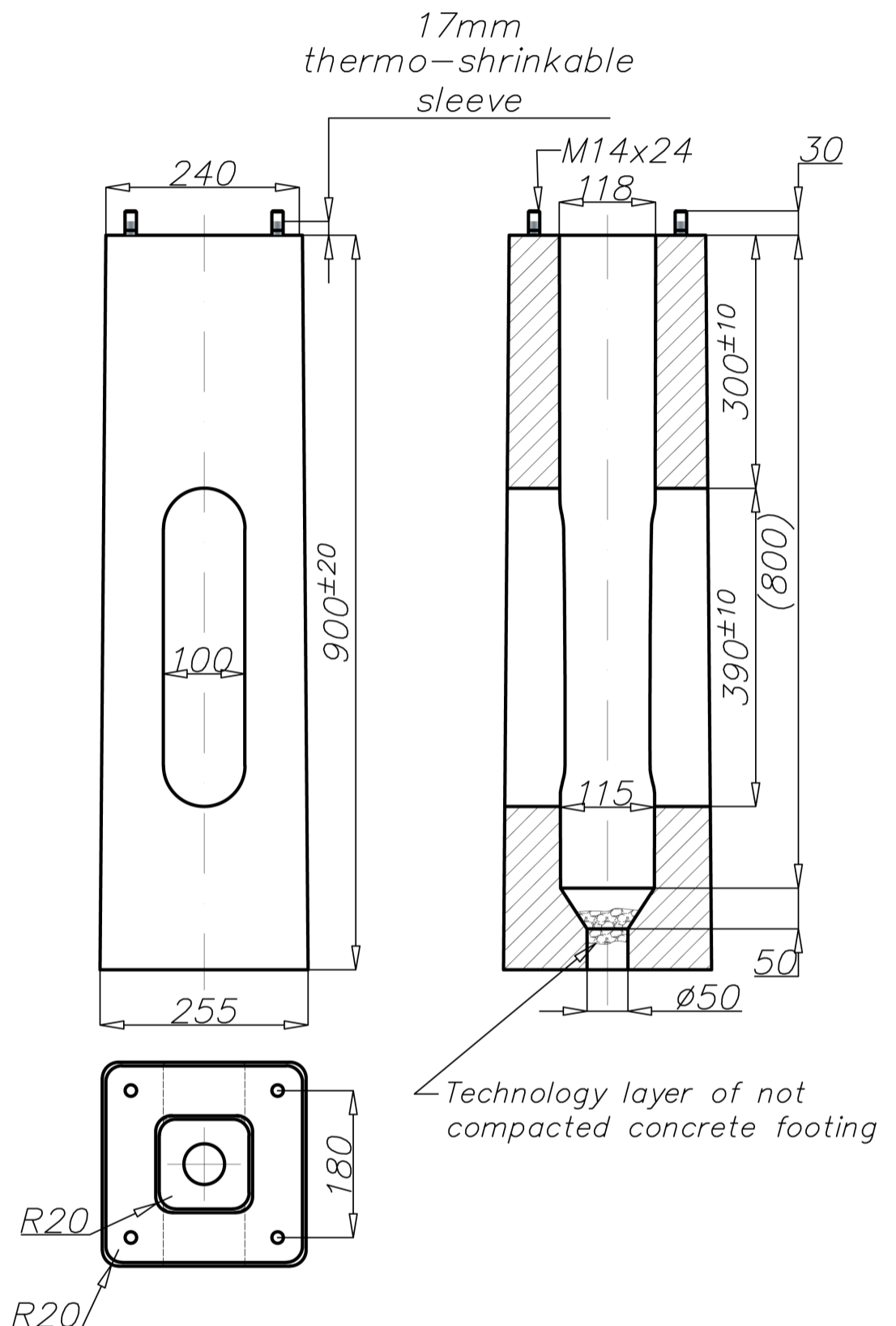
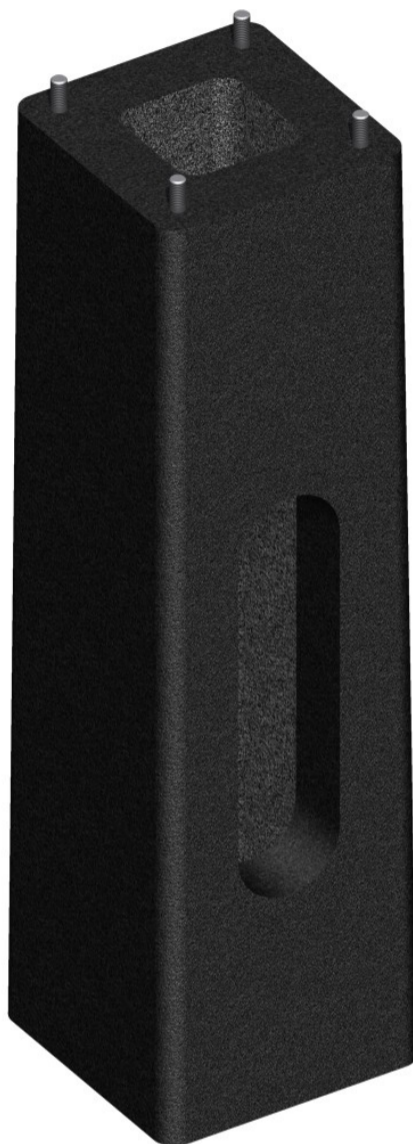


Concrete footing B-50



Technical data

Concrete footing	B-50
Code	311150
Weight [kg]*	92
Hot galvanized nut set	4006
Hot galvanized ripable nut set	4007
Application	for mounting SALØ114/B60, SALØ114/C75, SALØ120

* for transportation purposes should be considered possibility of soaking concrete - increase weight max to 5%

- class of concrete according to PN-EN 206 - C25/30 norm
- anchor bolts hot-dip galvanized