

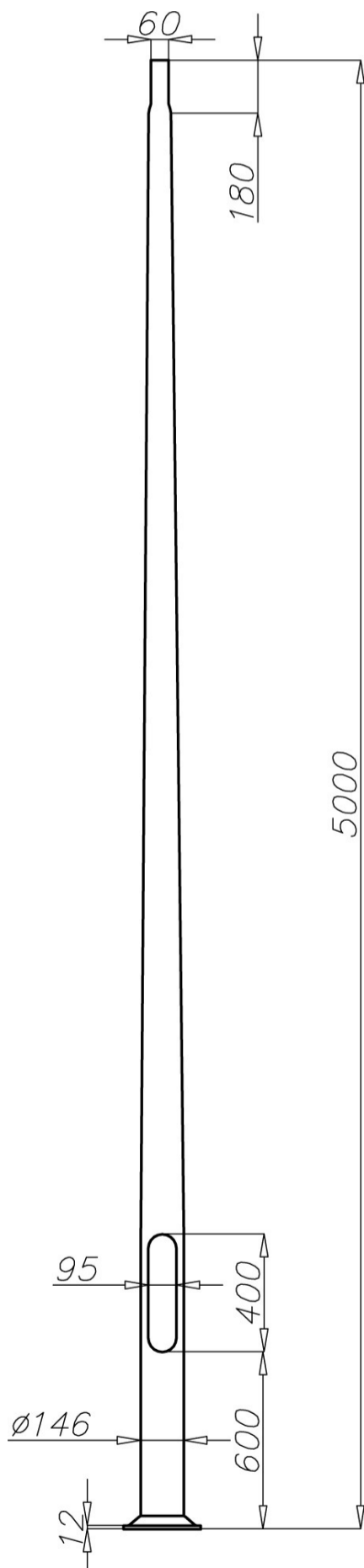
# Aluminium column SAL-50G

diameter 146 mm at the base plate



## Technical data

Aluminium Column	SAL-50G
Product code	42341
Column height H [m]	5
Wall thickness [mm]	4,2
Net weight [kg]	22,8
Volume [m <sup>3</sup> ]	0,155
Post top column	luminaires with $\varnothing 60$ spigot entry with weight and windage not exceeding data in resistance calculations
Compatible extension arms	according to resistance calculations
Concrete footing / reinforcement basket	B-51 / Z-51
Concrete footing code/reinforcement basket code	311151 / 311251
Hot galvanized nut set /Hot galvanized ripable nut set	4008 / 4009



## Resistance calculations

SAL-50G code 42343		acceptable windage of single luminaire [m <sup>2</sup> ] for Cx=0,7			
		Vref. = 22 m/s	Vref. = 24 m/s	Vref. = 26 m/s	Vref. = 28 m/s
extension arm type	acceptable weight of single luminaire	I zone, II location category	I and III zone, II location category to 450m AMSL	II zone, II location category	III zone, II location category to 755m AMSL
WA-01	10	1,35	1,15	0,93	0,79
WA-1	10	1,36	1,15	0,93	0,80
WA-2	10	1,28	1,07	0,85	0,71
WA-4	10	1,16	0,97	0,76	0,63
WA-5/1	10	1,02	0,86	0,69	0,59
WA-5/2	8	0,45	0,37	0,27	0,22
WA-8/1	10	1,26	1,05	0,83	0,69
WA-11/1	10	1,29	1,09	0,87	0,74
WA-14/1	10	1,32	1,11	0,9	0,76
WA-14/2	8	0,61	0,50	0,38	0,30
WA-15/1 P	10	1,36	1,16	0,93	0,79
WA-15/1 U	15	0,83	0,70	0,56	0,48
WA-15/2	8/15	0,49	0,40	0,3	0,23
WA-20/1	10	0,84	0,70	0,54	0,44
WR-1/1	15	1,16	1,00	0,82	0,71
WR-1/2	15	0,61	0,51	0,41	0,34
WR-2/1	15	0,86	0,73	0,59	0,51
WR-2/2	15	0,54	0,45	0,34	0,28
WR-3/1	15	0,8	0,68	0,54	0,46
WR-3/2	15	0,52	0,42	0,32	0,26

# Aluminium column SAL-50G

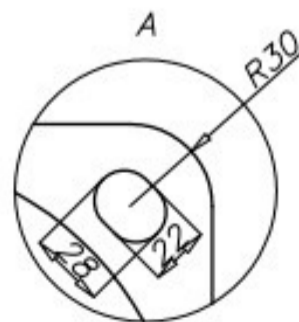
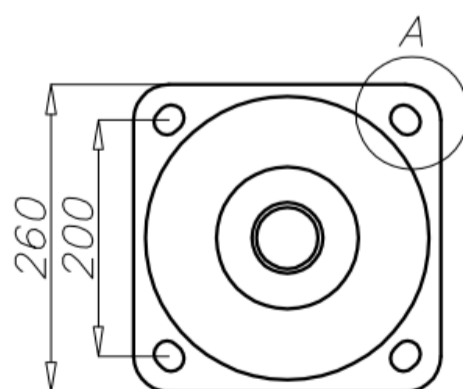
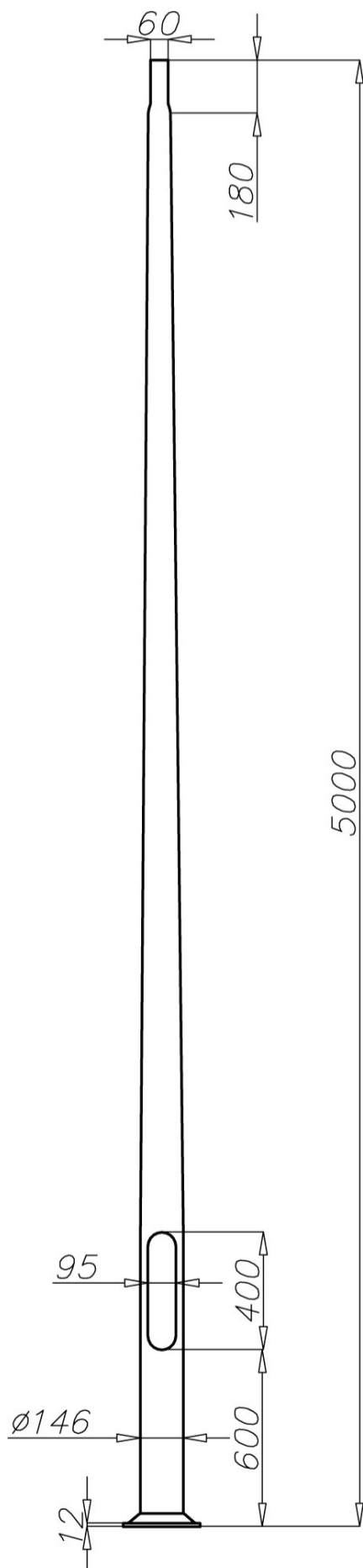
diameter 146 mm at the base plate



## Resistance calculations

SAL-50G code 42341		acceptable windage of single luminaire [ $m^2$ ] for $C_x=0,7$			
		Vref. = 22 m/s	Vref. = 24 m/s	Vref. = 26 m/s	Vref. = 28 m/s
extension arm type	acceptable weight of single luminaire	I zone, II location category	I and III zone, II location category to 450m AMSL	II zone, II location category	III zone, II location category to 755m AMSL
WR-4/1	15	1,08	0,93	0,76	0,65
WR-4/2	15	0,62	0,52	0,41	0,35
WR-13/1	15	0,92	0,77	0,62	0,52
WR-13/2	15	0,52	0,42	0,31	0,24
WR-15/1	15	0,86	0,73	0,58	0,49
WR-15/2	15	0,56	0,46	0,35	0,28
WN-1	15	1,06 (Cx=1)	0,9 (Cx=1)	0,73 (Cx=1)	0,63 (Cx=1)
WN-2	15	0,5 (Cx=1)	0,42 (Cx=1)	0,34 (Cx=1)	0,29 (Cx=1)
WN-21	15	0,46 (Cx=1)	0,38 (Cx=1)	0,3 (Cx=1)	0,25 (Cx=1)

SAL-50G code 42341		acceptable windage of luminaires and extension arms [ $m^2$ ] for $C_x=1$			
		Vref. = 22 m/s	Vref. = 24 m/s	Vref. = 26 m/s	Vref. = 28 m/s
acceptable mass of luminaires and extension arms [kg]		I zone, II location category	I and III zone, II location category to 450m AMSL	II zone, II location category	III zone, II location category to 755m AMSL
30		1,06	0,91	0,75	0,64



- surface: polished aluminium
- anodising in 10 colours, each with possibility of brightening
- option of powder painting in RAL colours (other colours available on request)
- elastomer protection in the color of the column to a height of 350 mm (other height on request)
- ROSA standard wiring chamber
- packing: sleeve material
- passive safety certificate 100NE2