

Aluminium column SAL-11,8

diameter 176 mm at the base plate



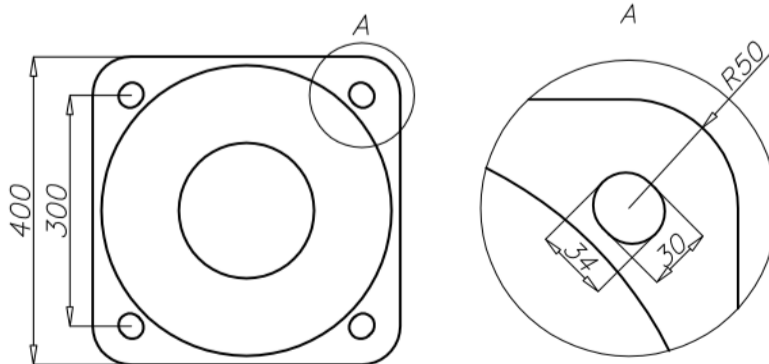
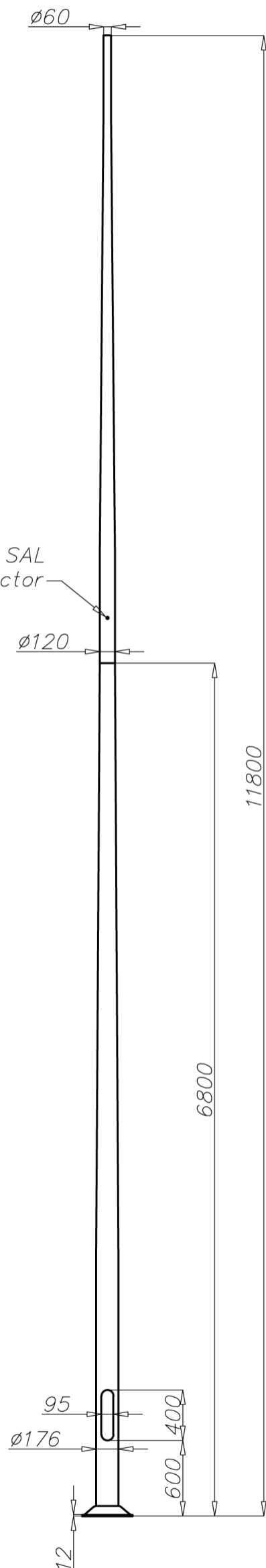
Technical data

Aluminium Column	SAL-11,8
Product code	42461
Column height H [m]	11,8
Height of the bottom part h1 + E [m]	6,8 + 0,35
Thickness wall of bottom part [mm]	4,3
Height of upper part h2 [m]	5
Thickness wall of upper part [mm]	4
Net weight [kg]	60,2
Volume [m ³]	0,55
Post top column	luminaires with Ø60 spigot entry with weight and windage not exceeding data in resistance calculations
Compatible extension arms	according to resistance calculations
Concrete footing / reinforcement basket	B-70 / Z-70
Concrete footing code/reinforcement basket code	311170 / 311207
Hot galvanized nut set /Hot galvanized ripable nut set	4012 / 4013

Resistance calculations

SAL-11,8 code 42461		acceptable windage of single luminaire [m ²] for Cx=0,7			
		Vref. = 22 m/s	Vref. = 24 m/s	Vref. = 26 m/s	Vref. = 28 m/s
extension arm type	acceptable weight of single luminaire	I zone, II location category	I and III zone, II location category to 450m AMSL	II zone, II location category	III zone, II location category to 755m AMSL
WR-1/1	15	0,17	Magnolia, Lunoida	x	x
WR-4/1	15	0,15	Magnolia, Lunoida	x	x
WN-1	15	0,17	x	x	x

SAL-11,8 code 42461		acceptable windage of luminaires and extension arms [m ²] for Cx=1			
		Vref. = 22 m/s	Vref. = 24 m/s	Vref. = 26 m/s	Vref. = 28 m/s
acceptable mass of luminaires and extension arms [kg]		I zone, II location category	I and III zone, II location category to 450m AMSL	II zone, II location category	III zone, II location category to 755m AMSL
30		0,17	0,11	x	x



- surface: polished aluminium
- anodising in 10 colours, each with possibility of brightening
- option of powder painting in RAL colours (other colours available on request)
- elastomer protection in the color of the column to a height of 350 mm (other height on request)
- ROSA standard wiring chamber
- packing: sleeve material
- passive safety certificate 100NE2