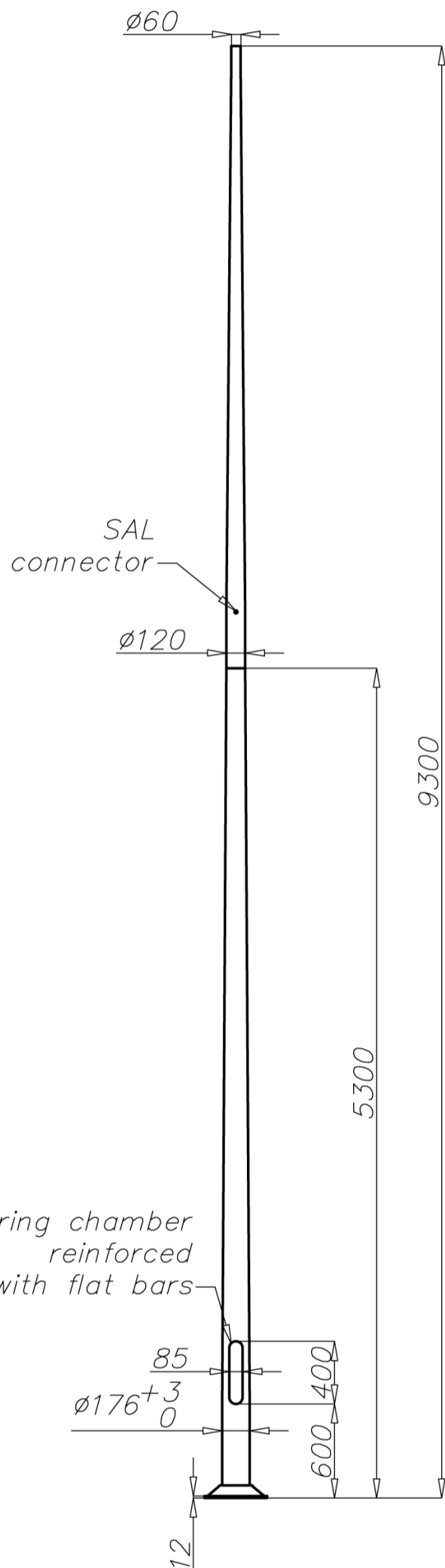


Aluminium column SAL-9,3 wzm

diameter 176 mm at the base plate



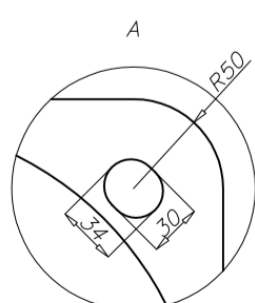
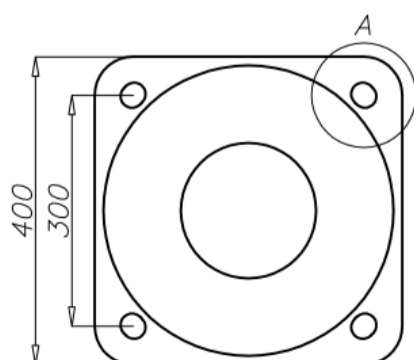
Technical data

Aluminium Column	SAL-9,3 wzm
Product code	42476
Column height H [m]	9,3
Height of the bottom part h1 + E [m]	5,3 + 0,35
Thickness wall of bottom part [mm]	5,2
Height of upper part h2 [m]	4
Thickness wall of upper part [mm]	4
Net weight [kg]	53,3
Volume [m ³]	0,437
Post top column	luminaires with Ø60 spigot entry with weight and windage not exceeding data in resistance calculations
Compatible extension arms	according to resistance calculations
Concrete footing / reinforcement basket	B-70 / Z-70
Concrete footing code/reinforcement basket code	311170 / 311207
Hot galvanized nut set /Hot galvanized ripable nut set	4012 / 4013

Resistance calculations

SAL-9,3 wzm code 42476		acceptable windage of single luminaire [m ²] for Cx=0,7			
		Vref. = 22 m/s	Vref. = 24 m/s	Vref. = 26 m/s	Vref. = 28 m/s
extension arm type	acceptable weight of single luminaire	I zone, II location category	I and III zone, II location category to 450m AMSL	II zone, II location category	III zone, II location category to 755m AMSL
WR-1/1	15	1,20	1,00	0,74	0,66
WR-1/2	15	0,54	0,44	0,31	0,28
WR-2/1	15	1,05	0,81	0,58	0,52
WR-2/2	15	0,47	0,37	0,25	0,21
WR-2/3	10	0,37	0,29	0,19	0,17
WR-3/1	15	1,02	0,77	0,56	0,49
WR-3/2	15	0,47	0,37	0,24	0,21
WR-4/1	15	1,19	0,96	0,71	0,64
WR-4/2	15	0,55	0,45	0,32	0,28
WR-13/1	15	1,04	0,80	0,56	0,49
WR-13/2	15	0,44	0,34	0,21	0,17
WR-13/3	10	0,35	0,27	0,16	0,13
WR-15/1	15	1,05	0,80	0,57	0,50
WR-15/2	15	0,48	0,38	0,24	0,21
WR-61	15	0,78	0,52	0,33	0,28
WN-1	15	0,95 (Cx=1)	0,8 (Cx=1)	0,59 (Cx=1)	0,53 (Cx=1)
WN-2	15	0,43 (Cx=1)	0,36 (Cx=1)	0,27 (Cx=1)	0,24 (Cx=1)
WN-21	15	0,41 (Cx=1)	0,34 (Cx=1)	0,25 (Cx=1)	0,22 (Cx=1)
WN-3	10	0,33 (Cx=1)	0,27 (Cx=1)	0,2 (Cx=1)	0,17 (Cx=1)

SAL-9,3 wzm code 42476		acceptable windage of luminaires and extension arms [m ²] for Cx=1			
		Vref. = 22 m/s	Vref. = 24 m/s	Vref. = 26 m/s	Vref. = 28 m/s
acceptable mass of luminaires and extension arms [kg]		I zone, II location category	I and III zone, II location category to 450m AMSL	II zone, II location category	III zone, II location category to 755m AMSL
30		0,95	0,80	0,60	0,54



- surface: polished aluminium
- anodising in 10 colours, each with possibility of brightening
- option of powder painting in RAL colours (other colours available on request)
- elastomer protection in the color of the column to a height of 350 mm (other height on request)
- ROSA standard wiring chamber
- packing: sleeve material