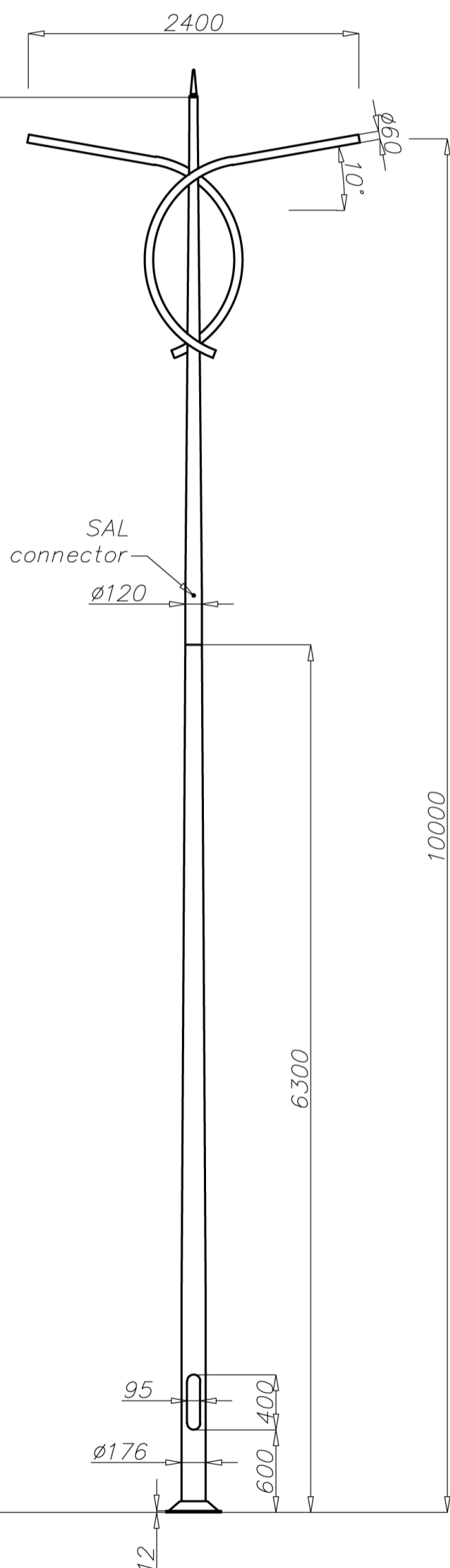


Aluminium column SAL-P12

diameter 176 mm at the base plate



Technical data

Aluminium Column	SAL-P12
Product code	42482
Column height H [m]	10,3
Wall thickness [mm]	4,3
Net weight [kg]	64,3
Volume [m ³]	1,42
Post top column	luminaires with $\varnothing 60$ spigot entry with weight and windage not exceeding data in resistance calculations
Concrete footing / reinforcement basket	B-70 / Z-70
Concrete footing code/reinforcement basket code	311170 / 311207
Hot galvanized nut set / Hot galvanized ripable nut set	4012 / 4013

Resistance calculations

SAL-P12 kod 42482	acceptable windage of single luminaires [m ²] for $C_x=0,7$			
	Vref. = 22 m-s	Vref. = 24 m-s	Vref. = 26 m-s	Vref. = 28 m-s
acceptable mass of a single luminaire [kg]	I zone, II location category	I and III zone, II location category to 450m AMSL	II zone, II location category	III zone, II location category to 755m AMSL
15	0,11	x	x	x

- surface: polished aluminium
- anodising in 10 colours, each with possibility of brightening
- option of powder painting in RAL colours (other colours available on request)
- elastomer protection option in the color of the column to a height of 350 mm (other height on request)
- ROSA standard wiring chamber
- packing: sleeve material
- possibility of fixing the light endings
- passive safety certificate 100NE2

