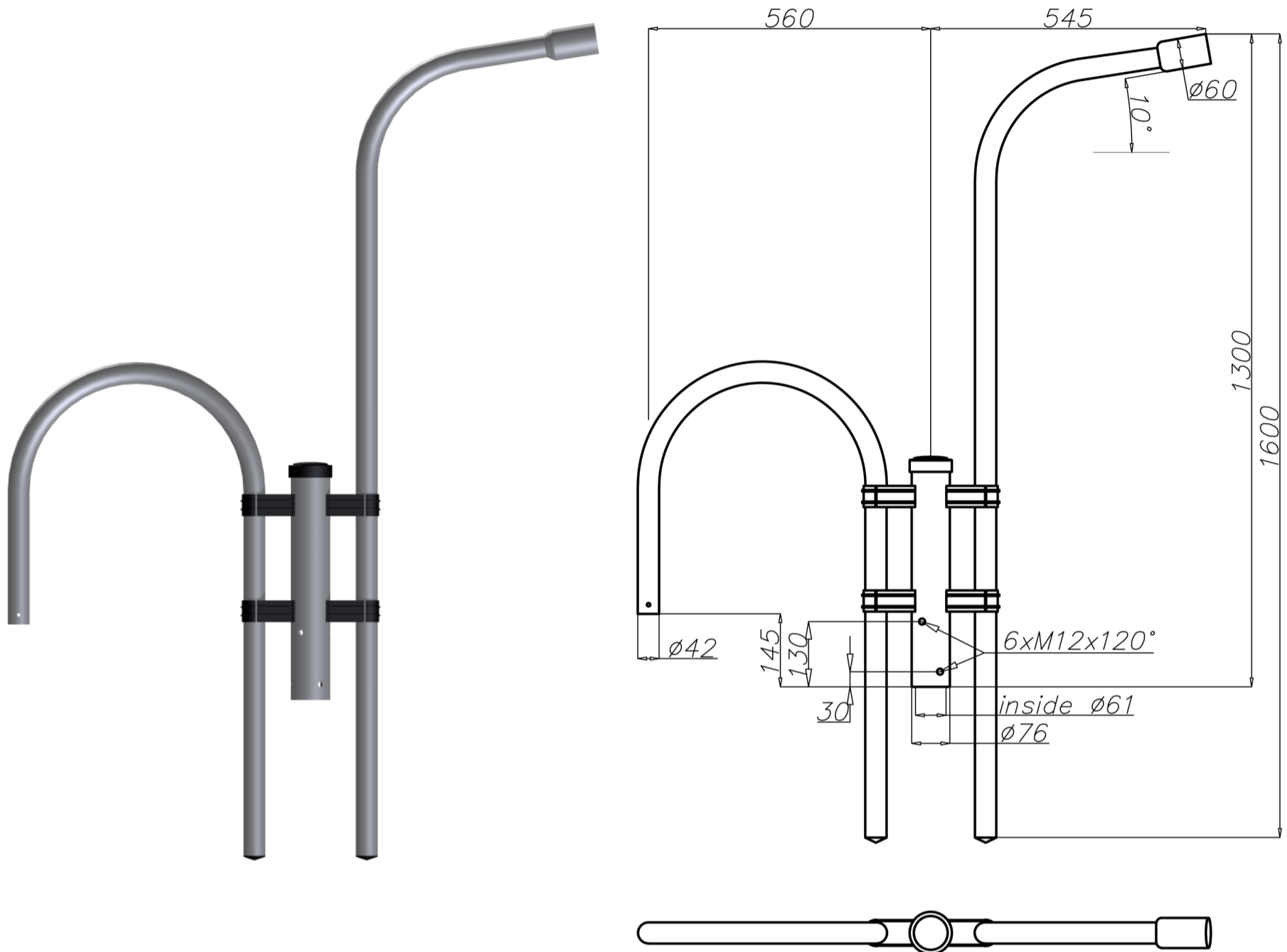


# Aluminium extension arm WA-15/2



## Technical data

Extension arm	WA-15/2
Product code	471152
Application	aluminium columns with ending $\varnothing 60 \times 180$
Arm quantity	2
Net weight [kg]	5,9
Windage [m <sup>2</sup> ]	0,197
Volume [m <sup>3</sup> ]	0,083
Assembling diameter of luminaire [mm]	$\varnothing 60/42$
Compatible luminaires	OW, OW-2, OPA, DROP / street luminaires

- anodising in 10 colours, each with possibility of brightening
- option of powder painting in RAL colours (other colours available on request)
- packing: sleeve material