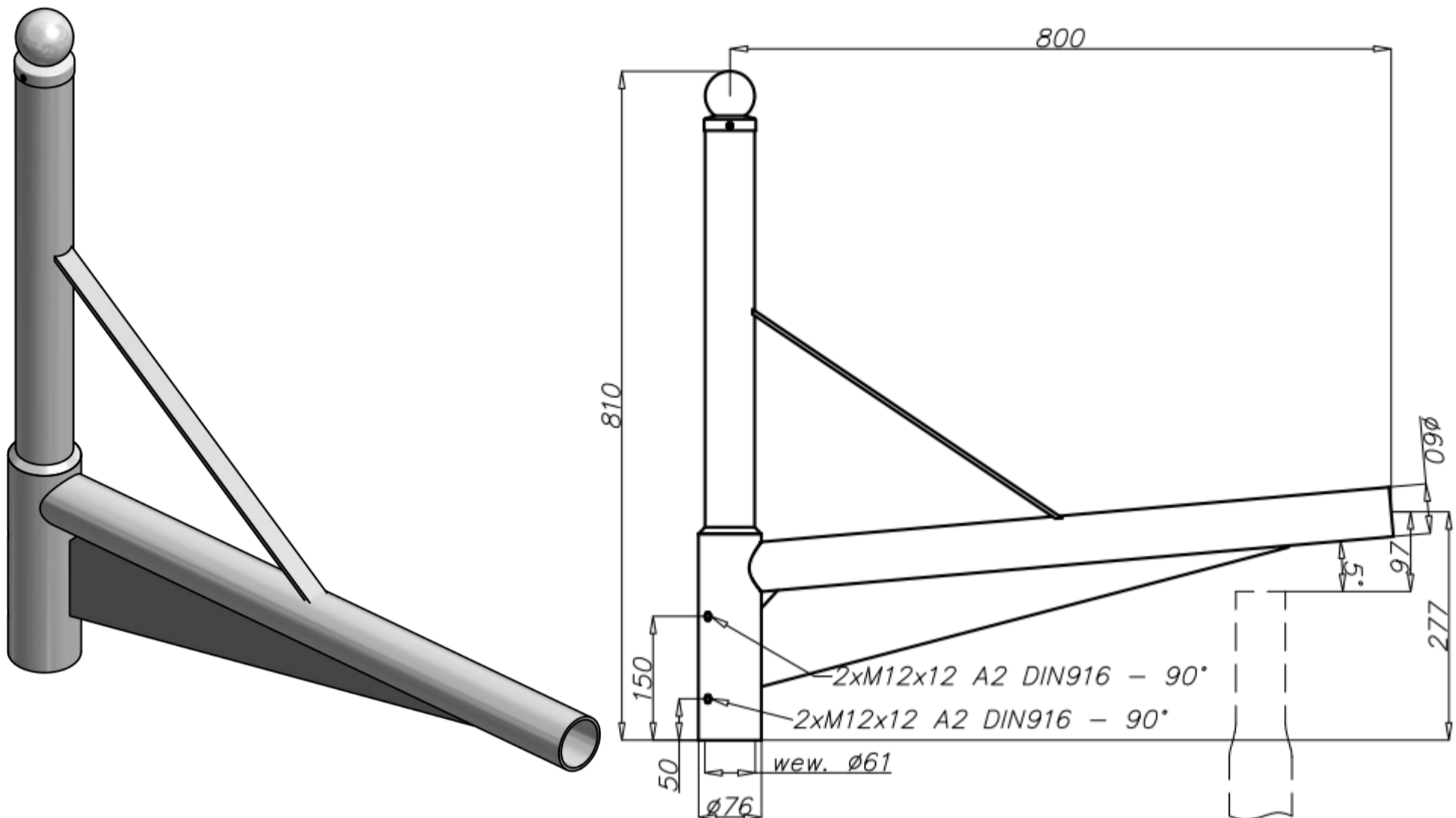


Aluminium extension arm WR-13/1/0,8/5



Technical data

Extension arm	WR-13/1/0,8/5
Product code	47213108
Application	aluminium columns with ending $\varnothing 60 \times 180$
Arm quantity	1
Net weight [kg]	3,5
Windage [m ²]	0,14
Volume [m ³]	0,04
Assembling diameter of luminaire [mm]	$\varnothing 60 \times 100$
Compatible luminaires	street luminaires

- anodising in 10 colours, each with possibility of brightening
- option of powder painting in RAL colours (other colours available on request)
- packing: sleeve material
- CE certificate valid for use on poles manufactured by ROSA company