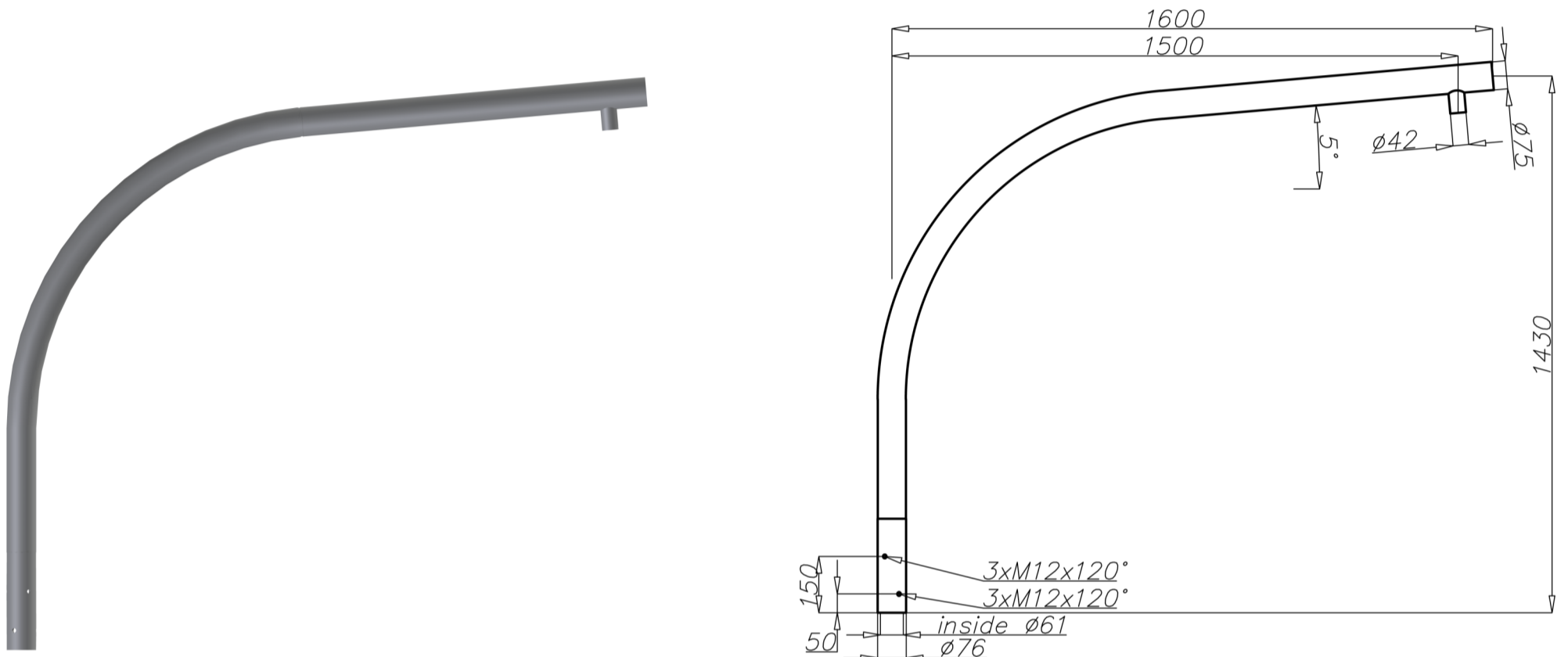


Aluminium extension arm WR-17/1



Technical data

Extension arm	WR-17/1
Product code	472171
Application	aluminium columns with ending $\varnothing 60 \times 180$
Arm quantity	1
Net weight [kg]	8,1
Windage [m ²]	0,199
Volume [m ³]	0,12
Assembling diameter of luminaire [mm]	$\varnothing 42$
Compatible luminaires	OW, OW-2, OW-21, OPA

- anodizing in 12 colours
- option of powder painting in RAL colours (other colours available on request)
- packing: sleeve material
- CE certificate valid for use on poles manufactured by ROSA company