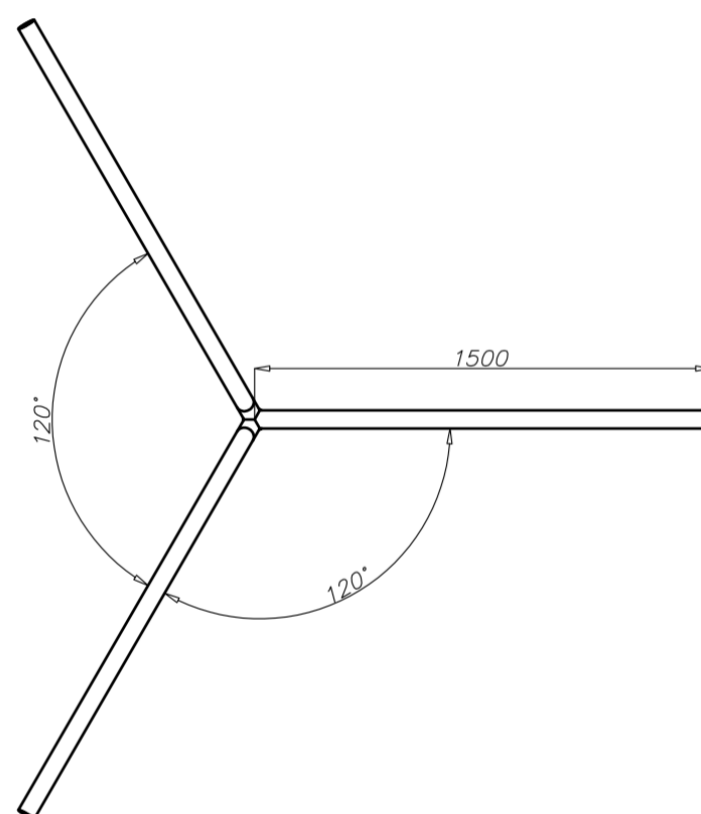
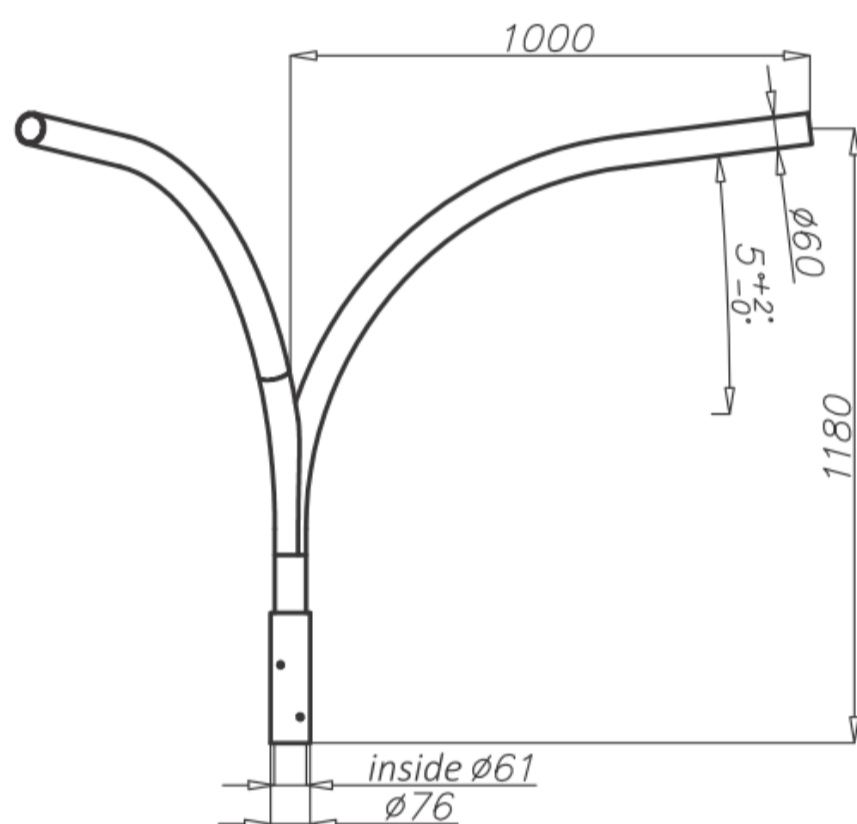


Aluminium extension arm WR-14/3/1,5/5



Technical data

Extension arm	WR-14/3/1,5/5
Product code	47214315
Application	aluminium columns with ending $\varnothing 60 \times 180$
Arm quantity	3
Net weight [kg]	10,9
Windage [m ²]	0,262
Volume [m ³]	0,227
Assembling diameter of luminaire [mm]	60
Compatible luminaires	street luminaires

- anodising in 10 colours, each with possibility of brightening
- option of powder painting in RAL colours (other colours available on request)
- packing: sleeve material
- CE certificate valid for use on poles manufactured by ROSA company