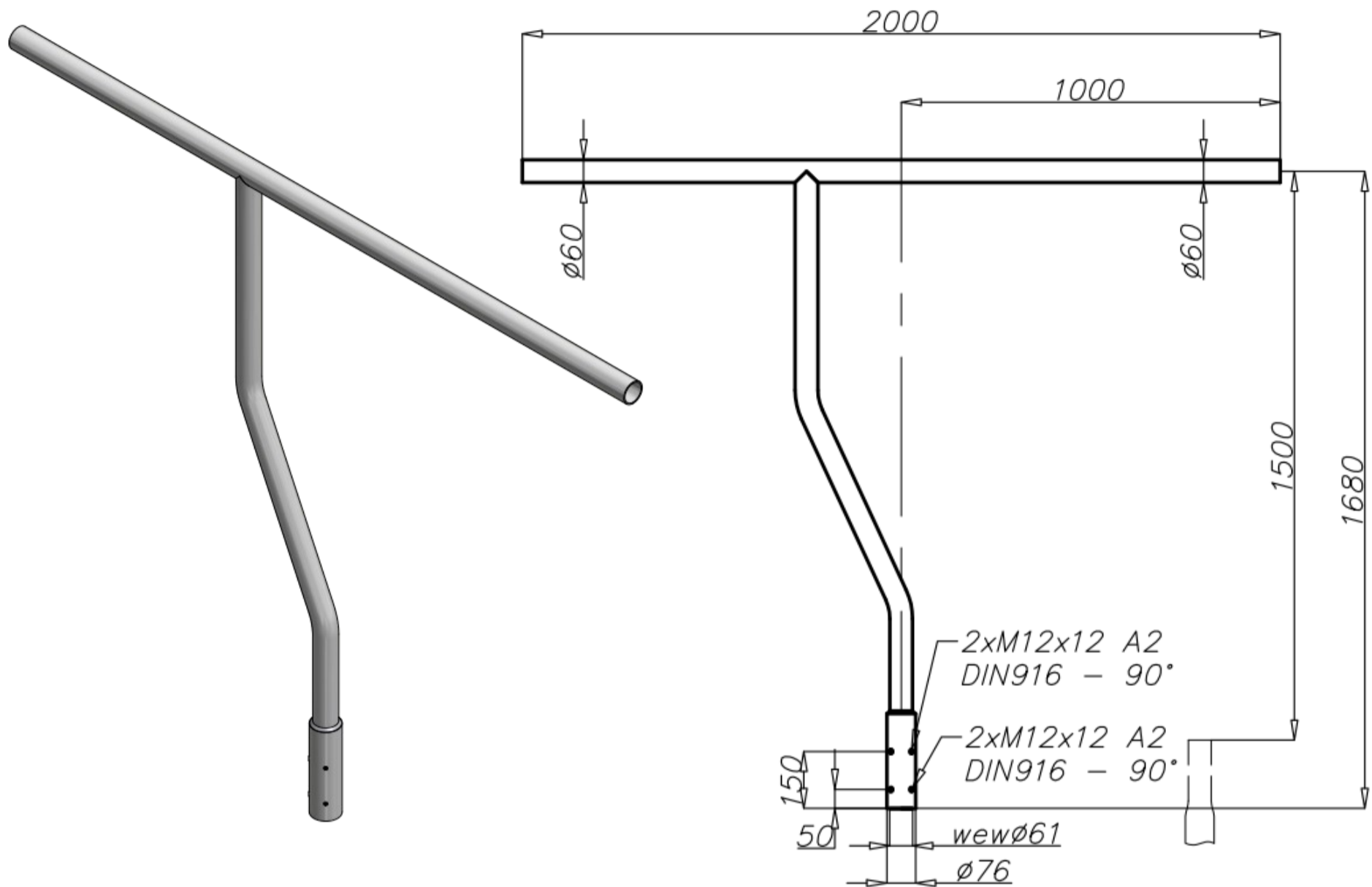


Aluminium extension arm WR-19/2



Technical data

Extension arm	WR-19/2
Product code	472192
Application	aluminium columns with ending $\phi 60 \times 180$
Arm quantity	2
Net weight [kg]	7,7
Windage [m ²]	0,22
Volume [m ³]	0,1
Assembling diameter of luminaire [mm]	$\phi 60 \times 50-200$
Compatible luminaires	street luminaires

- anodising in 10 colours, each with possibility of brightening
- option of powder painting in RAL colours (other colours available on request)
- packing: sleeve material
- CE certificate valid for use on poles manufactured by ROSA company