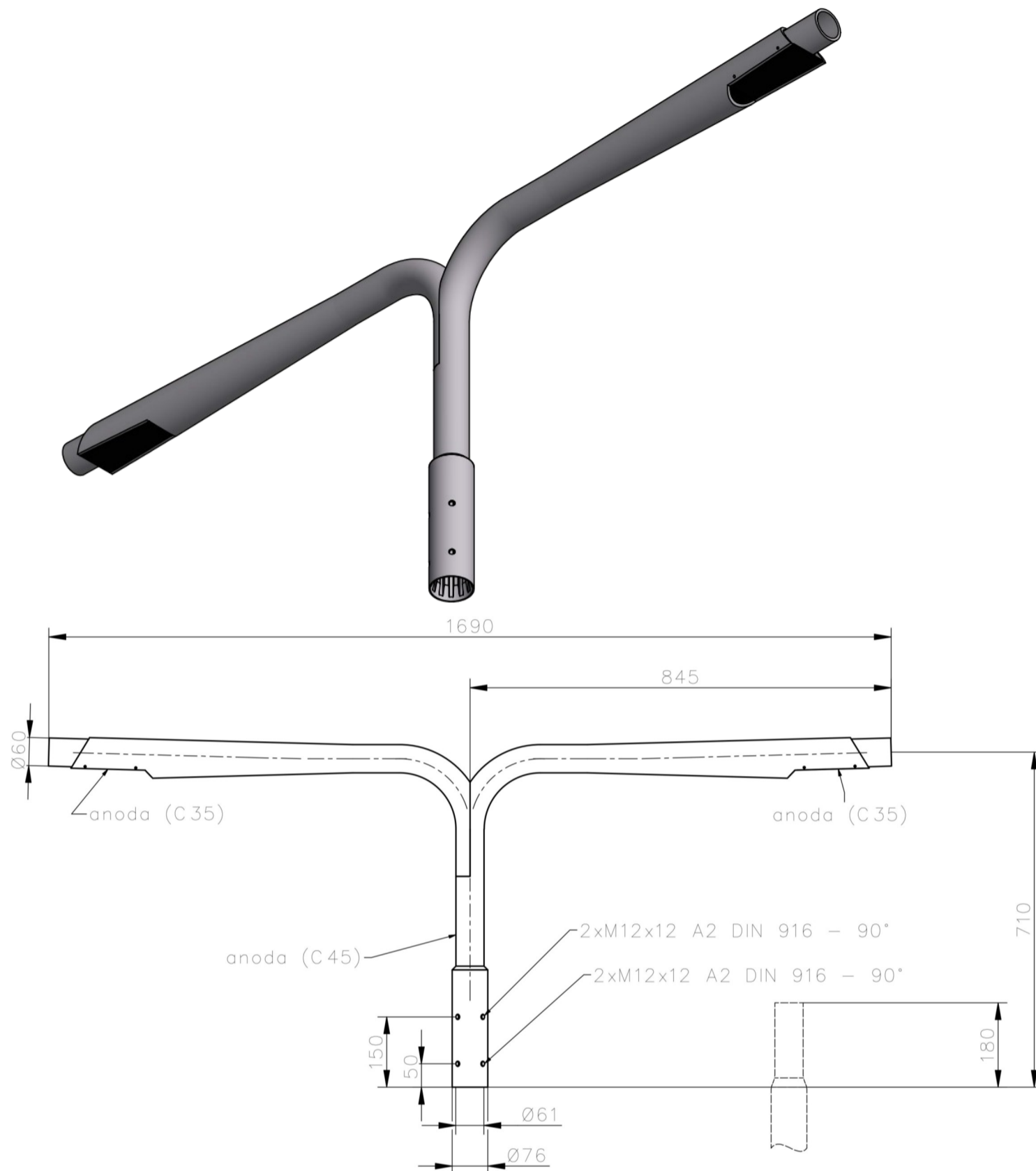


Aluminium extension arm WR-10/2



Extension arm	WR-10/2
Product code	472222/C45/C35
Application	aluminium columns with ending $\varnothing 60 \times 180$
Arm quantity	2
Net weight [kg]	6,7
Windage [m ²]	0,19
Volume [m ³]	0,1
Compatible luminaires	ISKRA LED

- anodising in 10 colours, each with possibility of brightening
- option of powder painting in RAL colours (other colours available on request)
- packing: sleeve material
- CE certificate valid for use on poles manufactured by ROSA company