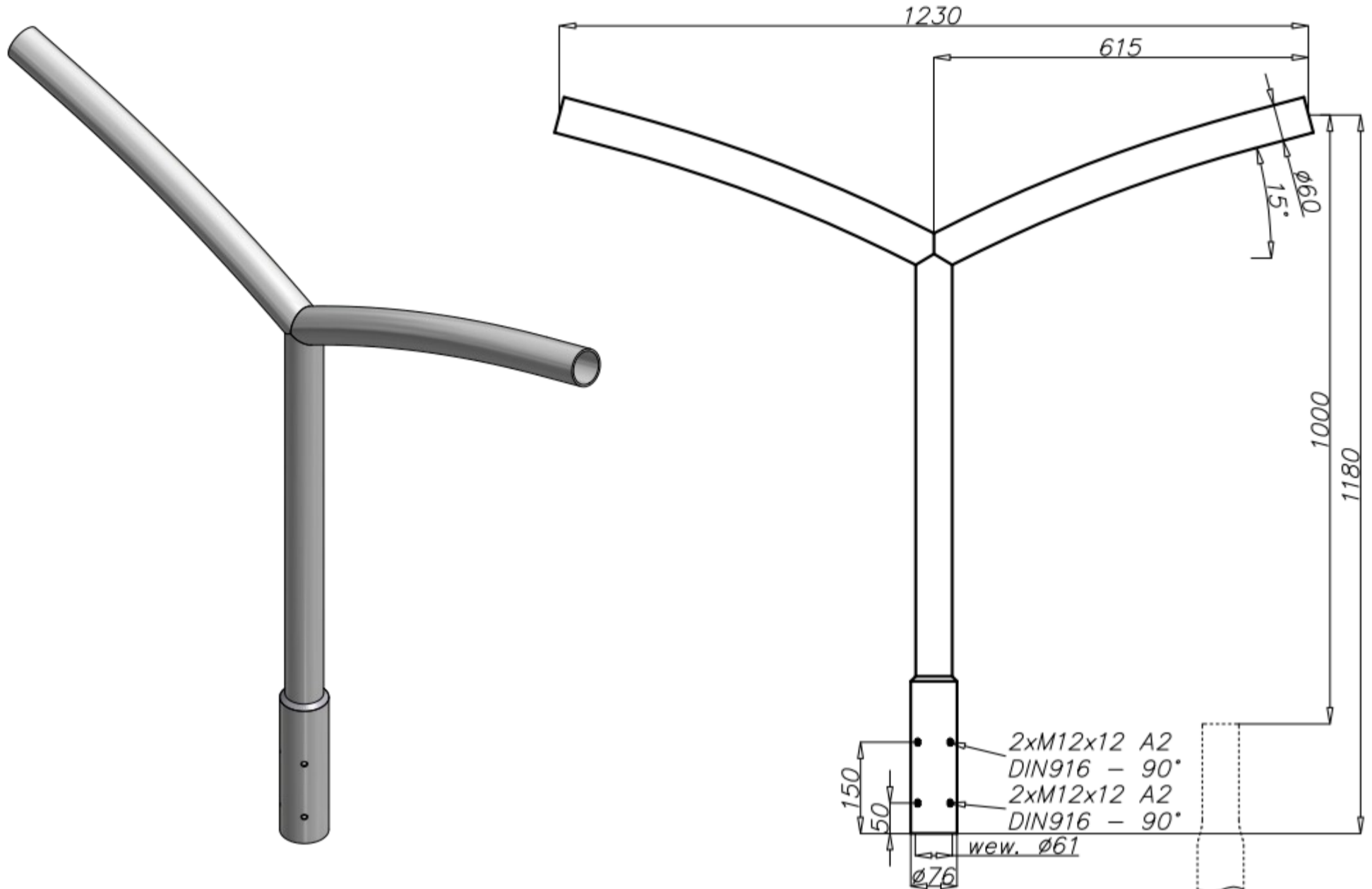


Aluminium extension arm WR-5A/2



Technical data

Extension arm	WR-5A/2
Product code	472502
Application	aluminium columns with ending Ø60x180
Arm quantity	2
Net weight [kg]	4,5
Windage [m ²]	0,131
Volume [m ³]	0,074
Assembling diameter of luminaire [mm]	Ø 60x100
Compatible luminaires	street luminaires

- anodising in 10 colours, each with possibility of brightening
- option of powder painting in RAL colours (other colours available on request)
- packing: sleeve material
- CE certificate valid for use on poles manufactured by ROSA company