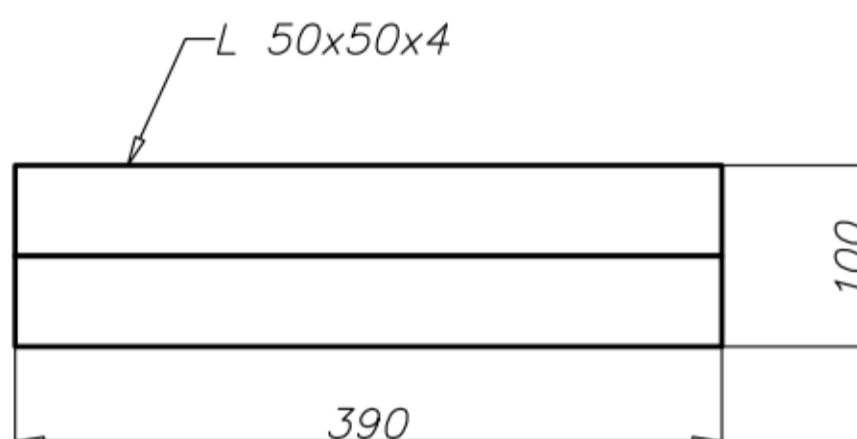
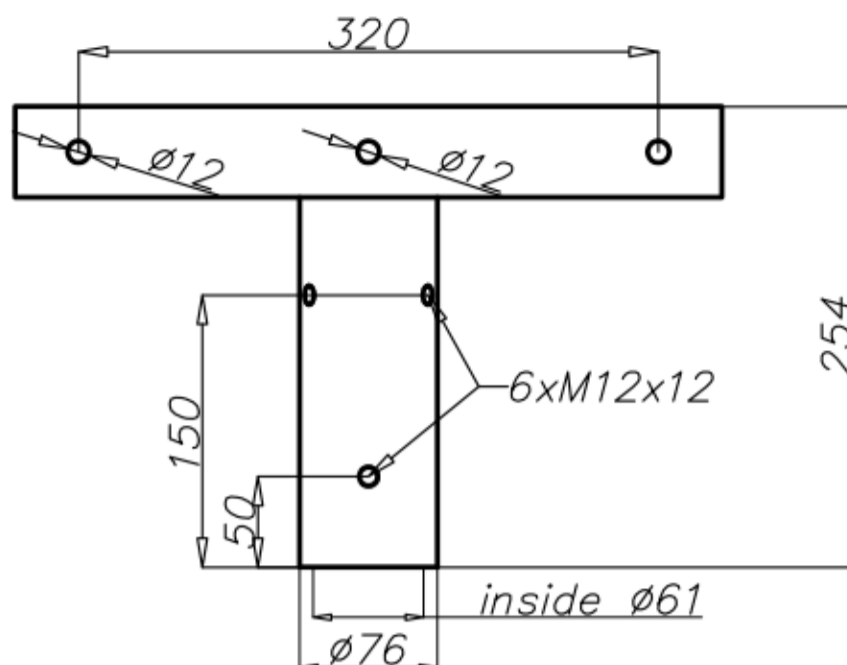
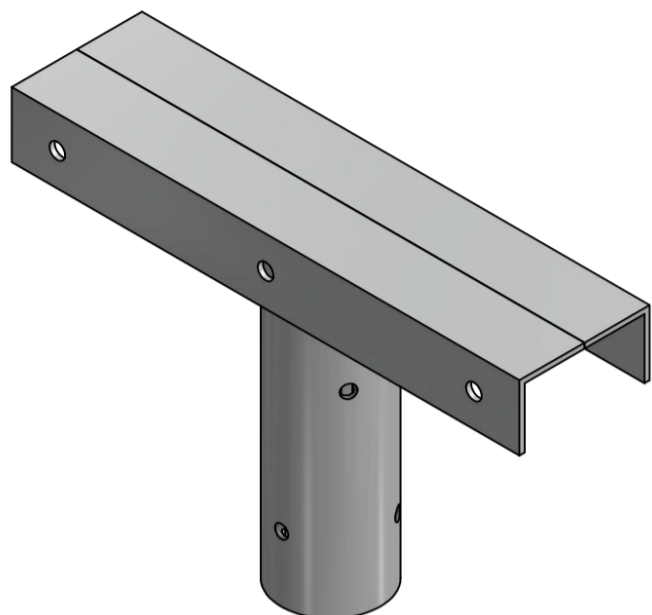


# Aluminium extension arm WN-2



## Technical data

Extension arm	WN-2
Product code	473020
Application	aluminium columns with ending $\varnothing 60 \times 180$
Arm quantity	2
Net weight [kg]	1,6
Windage [m <sup>2</sup> ]	0,03
Volume [m <sup>3</sup> ]	0,01
Assembling diameter of luminaire $\varnothing$ [mm]	x
Compatible luminaires	floodlights

- anodising in 10 colours, each with possibility of brightening
- option of powder painting in RAL colours (other colours available on request)
- packing: sleeve material
- CE certificate valid for use on poles manufactured by ROSA company