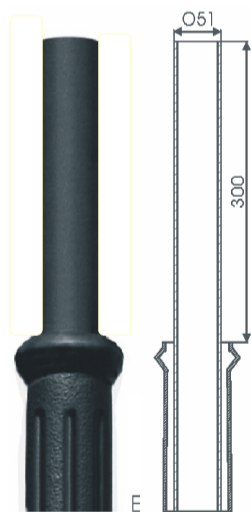
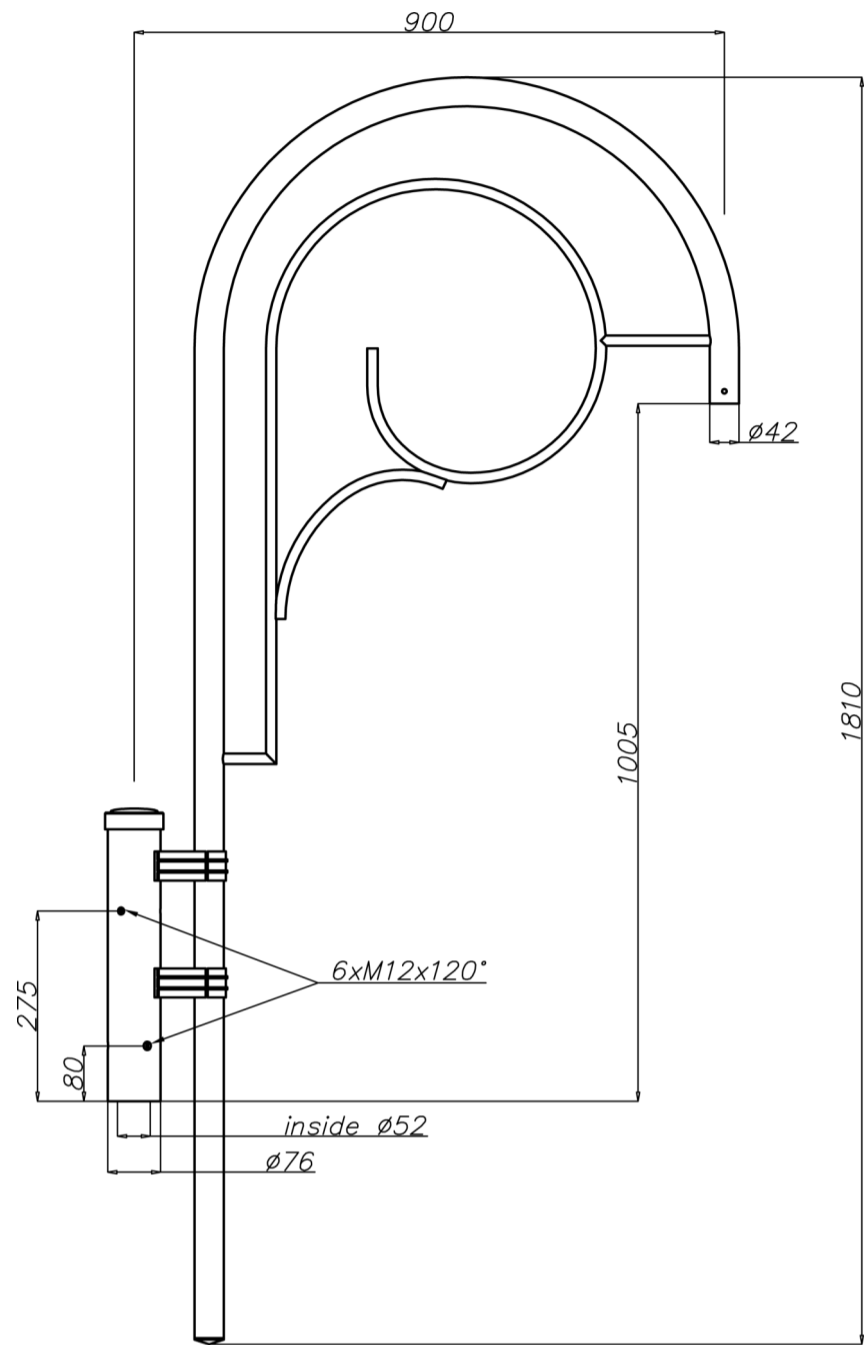
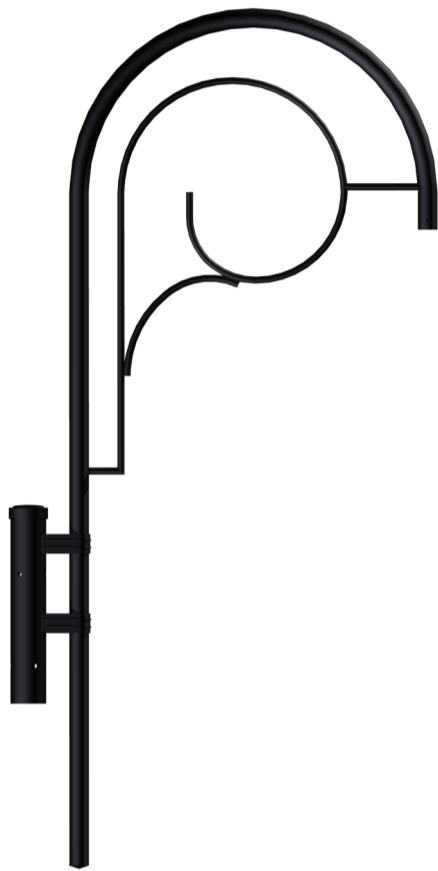


Aluminium extension arm WTM-20/1



Technical data

Extension arm	WTM-20/1
Product code	476201/C35
Application	poles type SM and SP with spigot ending "E"
Arm quantity	1
Net weight [kg]	5,7
Volume [m ³]	0,11
Assembling diameter of luminaire Ø [mm]	Ø 42
Compatible luminaires	OW, OW-2, OPA, DROP

- standard anodised in black
- possibility of anodising in other colours
- option of powder painting in RAL colours (other colours available on request)
- packing: stretch foil