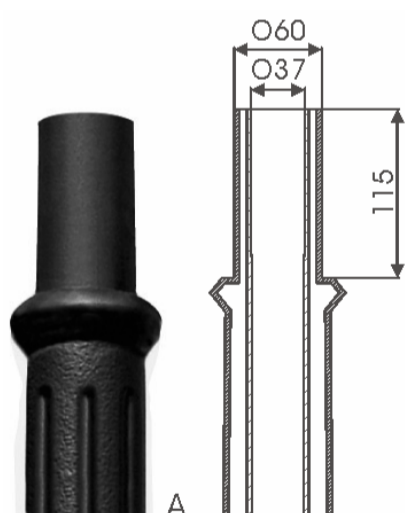
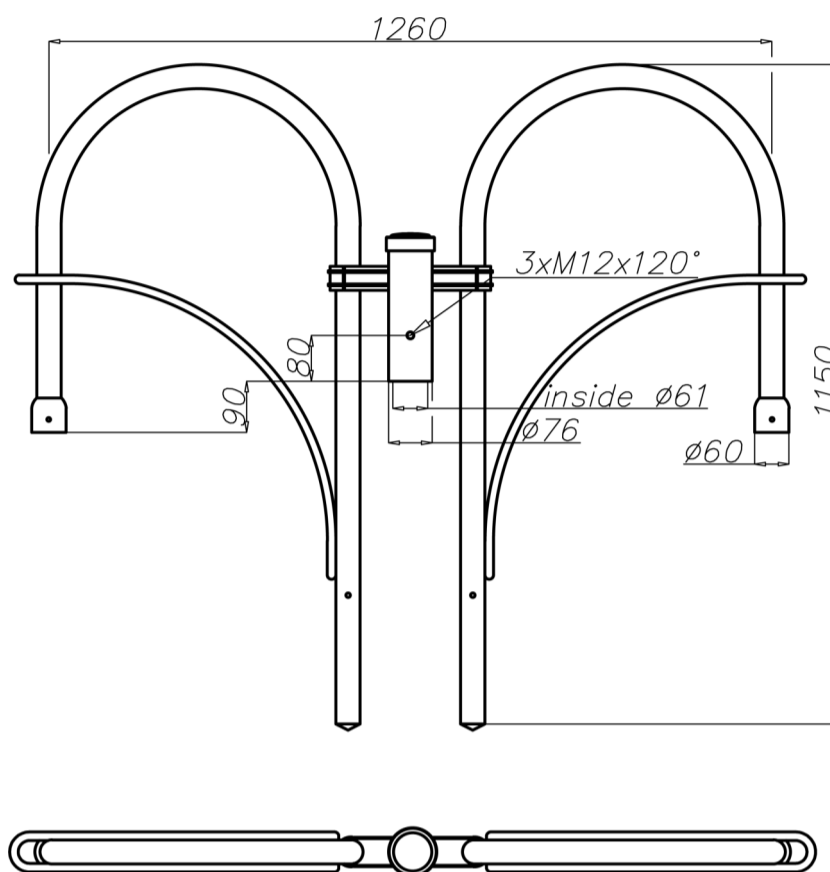


Aluminium extension arm WT-11/2



Technical data

Extension arm	WT-11/2
Product code	477112/C35
Application	poles type SP with spigot ending "A"
Arm quantity	2
Net weight [kg]	6,3
Volume [m ³]	0,09
Assembling diameter of luminaire [mm]	Ø 60
Compatible luminaires	OP 400, OP 450

- standard anodized in black
- possibility of anodizing in other colours
- option of powder painting in RAL colours (other colours available on request)
- possibility of making assembling diameter of luminaire Ø 42 mm for OPA
- packing: stretch foil