



Aluminium column SAL-9 WŁN 1/1,5/1,7/5

EDGE

diameter 180 mm at the base plate



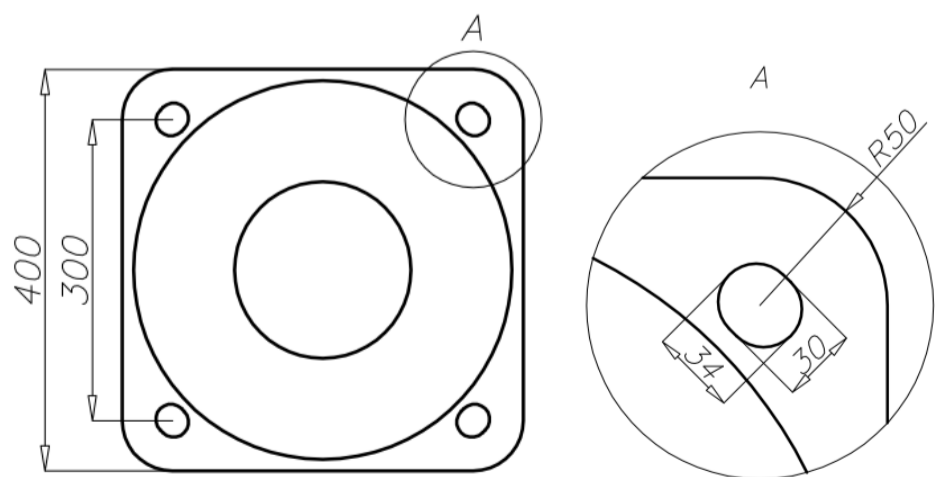
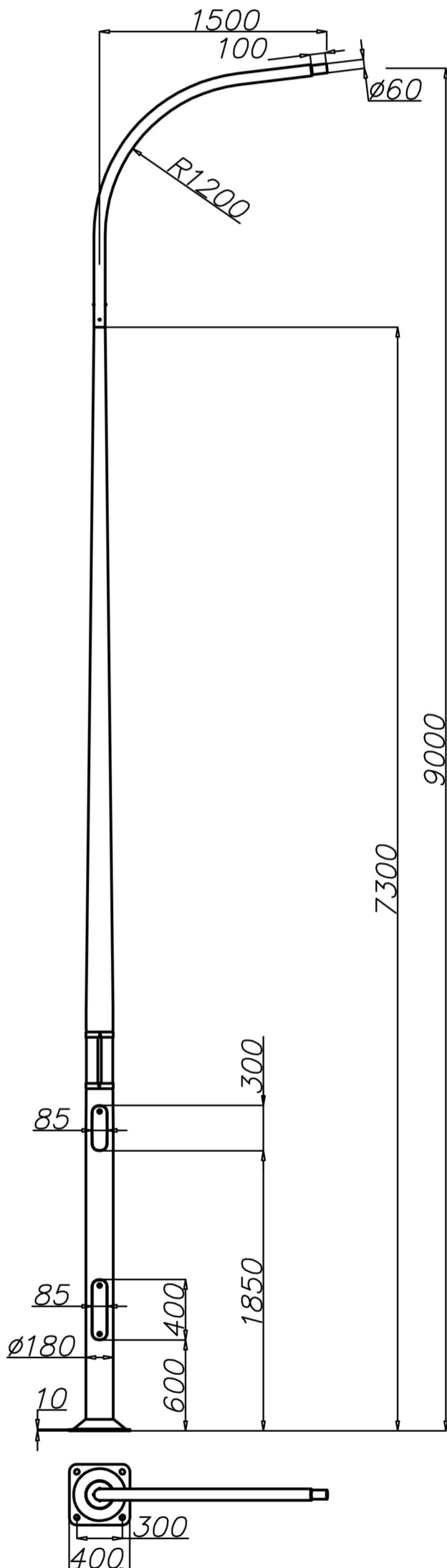
Technical parameters

Aluminium Column	SAL-9 WŁN 1/1,5/1,7/5 EDGE
Column height H [m]	9
Height of lower section h1 + E [m]	7,3 + 0,3
Lower wall thickness [mm]	4
Height of upper section h2 [m]	1,7
Upper wall thickness [mm]	3,5
Net weight [kg]	45,3
Volume [m ³]	0,67
Post top column	luminaires with $\varnothing 60$ spigot entry with weight and windage not exceeding data in resistance calculations
Concrete footing / reinforcement basket	B-71 / Z-71
Concrete footing codee/reinforcement basket codee	311171 / 311271
Hot galvanized nut set /Hot galvanized ripable nut set	4012 / 4013

Resistance calculations

SAL-9 WŁN 1/1,5/1,7/5 EDGE	acceptable windage of single luminaire [m ²] for Cx=1			
	Vref. = 22 m/s	Vref. = 24 m/s	Vref. = 26 m/s	Vref. = 28 m/s
acceptable mass of luminaires [kg]	I zone, III location category	I and III zone, III location category to 450m AMSL	II zone, III location category	III zone, III location category to 755m AMSL
15	0,43	0,35	0,22	0,19

- surface: polished aluminium
- anodising in 10 colours, each with possibility of brightening
- option of powder painting in RAL colours (other colours available on request)
- optional elastomer protection in the color of the column to a height of 350 mm (other height on request)
- ROSA standard wiring chamber
- packing: sleeve material
- passive safety certificate 100NE2



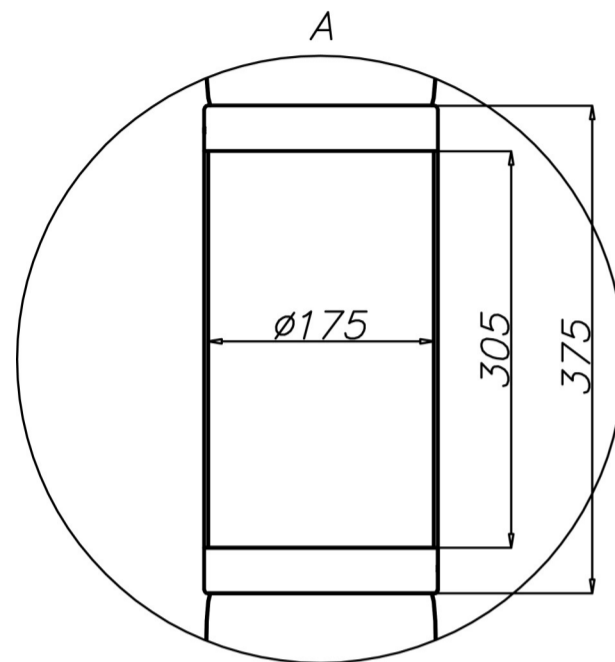
Aluminium column SAL-9 WŁN 1/1,5/1,7/5

EDGE

diameter 180 mm at the base plate


Characteristic

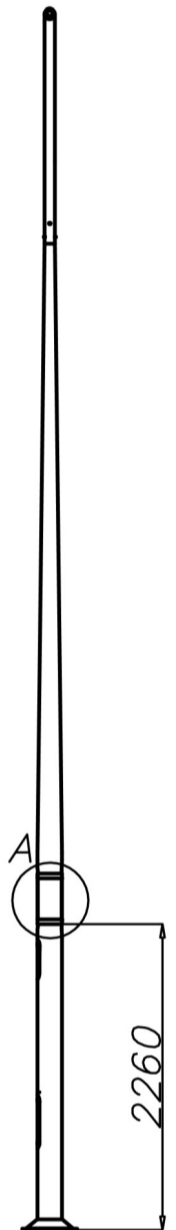
Ingress protection of optical system and driver	IP 66
Protection class	II
Nominal input voltage	220 - 240V AC
Frequency	50 - 60 Hz
Power factor	≥0.95
Inrush electric current	22A / 290μs
Level of surge protection	10kV
Control system ready input	DALI
Operating temperatures	-40°C to +40°C
Material	anodized aluminium alloy
Optical system	PMMA lens, replaceable LED module
LEDs lifetime L90F10	50 000h
Warranty	5 years


Technical parameters

Type	SAL-9 WŁN 1/1,5/1,7/5 EDGE-1		SAL-9 WŁN 1/1,5/1,7/5 EDGE-2	
	4273027/6	4273027/3	4273029/6	4273029/3
Correlated colour temperature [K]	5 000	3 500	5 000	3 500
Color rendering index CRI	75 ²⁾	>80	75 ²⁾	>80
Corrective factor S/P	1,8	1,45	1,8	1,45
LEDs power [W]	10		20	
Power consumption [W]	14		26	
Luminaire luminous flux ¹⁾ [lm]	1150		2350	
Luminaire efficacy [lm/W]	82		90	

- 1) including LEDs tolerance parameter accuracy +/- 7%
 2) parameter accuracy +/-2

- Low voltage directive LVD 2006/95/WE, norm PN-EN 60598-1, PN-EN 60598-2-3
- Directive EMC 2004/108/WE, norms: PN-EN 55015, PN-EN 61547, PN-EN 61000-3-2, PN-EN 61000-3-3
- Shown parameters based on measurements according to IESNA LM 79-08


Acceptable quantity of ROSA EDGE on one circuit, protected by:

Overcurrent switches MCB type B or C								
		2A	4A	6A	10A	16A	20A	25A
EDGE LED	Typ B	2	4	8	12	20	25	31
	Typ C	2	8	12	20	34	41	52

Fuse – type gG and GL								
		2A	4A	6A	10A	16A	20A	25A
EDGE LED		4	9	14	25	39	50	62

EDGE LED in standard has following functions of intelligent power supply:

- Connection to outside control system by DALI interface (operation of analog signal 1-10V as an option),
- Possibility of programming multistage dimming of luminaire, up to 5 intervals in the range of from 10 to 100% of nominal power,
- Regulation of power / luminous flux – the option of setting another value than the catalogue in the range of 30-100% of nominal one.

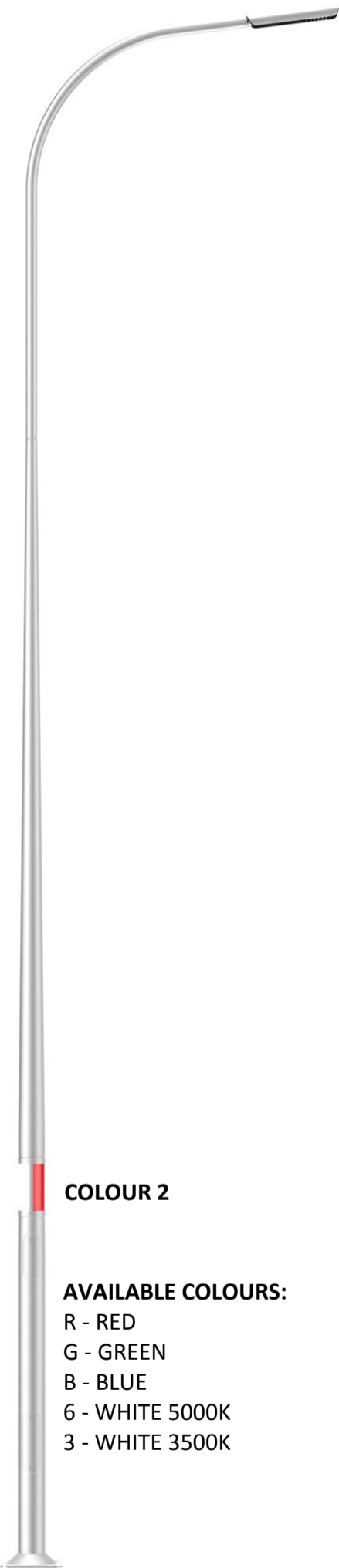
Aluminium column SAL-9 WŁN 1/1,5/1,7/5

EDGE

diameter 180 mm at the base plate



Colour versions



COLOUR 1

COLOUR 2

AVAILABLE COLOURS:

- R - RED
- G - GREEN
- B - BLUE
- 6 - WHITE 5000K
- 3 - WHITE 3500K

EDGE-2
CODE: 4273029/COLOUR1/COLOUR2

EDGE-1



EDGE-1
COLOUR: GREEN
CODE: 4273027/G

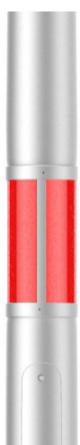


EDGE-1
COLOUR: BLUE
CODE: 4273027/B



EDGE-1
COLOUR: RED
CODE: 4273027/R

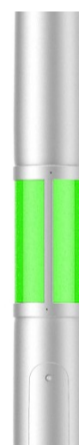
EDGE-2



EDGE-2
COLOUR: RED
CODE: 4273029/R/R



EDGE-2
COLOUR: BLUE
CODE: 4273029/B/B



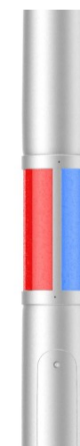
EDGE-2
COLOUR: GREEN
CODE: 4273029/G/G



EDGE-2
COLOUR: WHITE/RED
CODE: 4273029/6/R



EDGE-2
COLOUR: GREEN/RED
CODE: 4273029/G/R



EDGE-2
COLOUR: RED/BLUE
CODE: 4273029/R/B